



THE  
**VOLVO XC60**



## XC60 MOMENTUM

The Momentum variant comes with a high level of standard features including: rear park assist, rain sensor, grocery bag holder, digital combined instrument cluster with TFT crystal display, a power adjustable driver seat with memory function and electric lumbar support - all designed to complement the existing high level of specification whichever engine variant you choose.

<b>Variants:</b>	<b>Diesel</b>	<b>Petrol</b>
	D4 Geartronic	T5 Geartronic
	D5 Geartronic AWD	T6 Geartronic

## XC60 INSCRIPTION

The Inscription variant is the ultimate upgrade. Over and above the Momentum variant, the Inscription variant has a combination of power adjustable passenger seat, a 3-spoke leather steering wheel with décor inlays, a high version interior lights package and a new power operated tailgate.

<b>Variants:</b>	<b>Diesel</b>	<b>Petrol</b>
	D4 Geartronic	T5 Geartronic
	D5 Geartronic AWD	T6 Geartronic

## XC60 *R-DESIGN*

A unique power steering system and 18" Ixion II diamond cut alloy wheels together with the R-DESIGN chassis enhance the handling of this model. Visual presence is complemented with silver matt door mirrors, unique rear exhaust pipes, R-DESIGN leather sport seats with side support, R-DESIGN leather steering wheel and unique aluminium interior trim.

<b>Variants:</b>	<b>Diesel</b>	<b>Petrol</b>
	D4 Geartronic	T5 Geartronic
	D5 Geartronic AWD	T6 Geartronic





**THE RIGHT EQUIPMENT.** It's essential that your Volvo comes equipped with everything you need. Below you'll find the standard equipment lists for each model variant, plus optional equipment to personalise your Volvo XC60. And as you'd expect, there is an array of industry-leading, cutting edge safety innovations.

<b>STANDARD EQUIPMENT - SAFETY AND SECURITY</b>	<b>Momentum</b>	<b>Inscription</b>	<b>R DESIGN</b>
City Safety	•	•	•
Stop / Start technology	•	•	•
Alarm with level sensor & immobiliser	•	•	•
IMS (Interior movement sensor)	•	•	•
Key integrated remote control, central locking	•	•	•
Home safe lights	•	•	•
Power child lock, rear doors	•	•	•
Two step opening	•	•	•
Inner "pop-up" lock knobs in all doors	•	•	•
Laminated windows all round (includes WRG on front door windows)	•	•	•
Trip computer	•	•	•
Cruise control	•	•	•
Hill Descent Control on D5 only	•	•	•
Hill Start Assist	•	•	•
Height / length adjustable steering wheel	•	•	•
Rain sensor	•	•	•
ITPMS (Indirect tyre pressure monitoring system)	•	•	•
Two step airbag, driver / passenger side	•	•	•
Passenger airbag	•	•	•
SIPS airbags	•	•	•
Inflatable curtains	•	•	•
Whiplash protection, front seats	•	•	•
Seat belt reminder, front seats	•	•	•
Pyrotechnical pre-tensioners, front / rear positions	•	•	•
Passenger airbag cut-off switch	•	•	•
Isofix - outer positions, rear seat	•	•	•
EBA (Emergency Brake Assist)	•	•	•
Emergency brake light, flashing	•	•	•
High positioned rear brake light	•	•	•
IDIS (Intelligent Driver Information System)	•	•	•
DSTC (Dynamic Stability Traction Control)	•	•	•
Roll stability control for XC60	•	•	•
ABS (Antilock Brake System)	•	•	•
Front brake discs - 17"	•	•	•
Rear brake discs, ventilated	•	•	•
Electrical parking brake	•	•	•
Drive away release, parking brake	•	•	•

<b>STANDARD EQUIPMENT - EXTERIOR</b>	<b>Momentum</b>	<b>Inscription</b>	<b>RDESIGN</b>
Power windows, all doors	•	•	•
Bright roof rails	•	•	•
Chrome decor side windows, lower	•	•	n/a
Standard XC60 grill	•	•	n/a
Active Bi-Xenon lights	•	•	•
Headlight washers, low flow	•	•	•
LED DRL (Daytime Running Lights)	•	•	•
Dual headlights	•	•	•
Side positioning lights	•	•	•
Standard door moulding, lower	•	n/a	•
Chromed lower door moulding	n/a	•	n/a
Tread plates, standard XC60	•	•	n/a
Chromed strip tailgate	•	•	n/a
Standard bumper	•	•	n/a
Insert rear bumper, black	•	•	•
Rear foglight, auto-off	•	•	•
Skid plate mold in colour	•	•	n/a
Park assist - rear	•	•	•
Dual integrated exhaust tail pipes	•	•	n/a
Dynamic chassis	•	•	n/a
Sport chassis	o	o	•
17" Valder silver wheels (standard on D4 & T5)	•	•	n/a
18" Leda light grey diamond cut wheels (standard on D5 & T6)	•	•	n/a
<b>RDESIGN</b> Bright decor side windows, lower			•
<b>RDESIGN</b> Grill			•
<b>RDESIGN</b> Silver rearview mirrors			•
<b>RDESIGN</b> Tread plates			•
<b>RDESIGN</b> Chromed strip tailgate			•
<b>RDESIGN</b> Colour matched rear bumper			•
<b>RDESIGN</b> Skid plate			•
<b>RDESIGN</b> Dual exhaust tail pipes			•
<b>RDESIGN</b> 18" Ixion II matt black diamond cut wheels			•

<b>STANDARD EQUIPMENT - INTERIOR</b>	<b>Momentum</b>	<b>Inscription</b>	<b>RDESIGN</b>
AQS (Air Quality System)	•	•	•
ECC (Electronic Climate Control)	•	•	•
Laminated front windscreen	•	•	•
Electrically heated rear window	•	•	•
Digital combined instrument cluster with 8" TFT crystal display	•	•	•
Standard leather comfort - chrome tanned	•	•	n/a





**STANDARD EQUIPMENT - INTERIOR Continued**

	Momentum	Inscription	REDESIGN
Power driver seat with memory for seat & exterior mirrors	•	•	•
Mechanically adjustable passenger seat, 6-way	•	n/a	•
Power passenger seat	o	•	o
Electric lumbar support	•	•	•
Manually foldable rear headrests	•	•	•
Shimmer graphite decor inlay	•	•	n/a
High Performance Sound / AUX / USB / Bluetooth / Connectivity	•	•	•
Connected Service Booking	•	•	•
Single DVD, 7" screen IHU MCA connectivity	•	•	•
Auxiliary audio input (AUX connector)	•	•	•
USB & IPOD function in IAM	•	•	•
Audio controls in steering wheel	•	•	•
Voice control, advanced	•	•	•
Bluetooth handsfree with audio streaming	•	•	•
Leather steering wheel, 3-spoke	•	n/a	n/a
Dark colour steering wheel	•	•	•
Leather steering wheel with decor inlay, 3-spoke	o	•	n/a
Leather gear knob / leather gaiter for VEA	•	•	n/a
Gear lever illumination	•	•	•
Uni decor, mannekin, air vents, CCM knobs	•	•	•
Automatically dimmed inner mirror	•	•	•
Illuminated vanity mirror, driver & passenger side	•	•	•
Interior lighting - Mid version	•	n/a	•
Interior lighting - High version	o	•	o
Ashtray, front / rear and front cigarette lighter	•	•	•
Rear armrest with cup holders and storage	•	•	•
Textile floor mats (4 piece)	•	•	n/a
Front cup holders in tunnel console	•	•	•
Storage in front doors	•	•	•
Storage in front of the centre console	•	•	•
Front armrest	•	•	•
Parking ticket holder	•	•	•
Black switch button, side door, front and rear	•	•	•
Standard armrest bracket, tunnel	•	•	•
Heated and electrically adjustable outer mirrors	•	•	•
Retractable rearview mirrors	•	•	•
Puddle lights	•	•	•
Colour matched rearview mirrors	•	•	n/a
Bright metal sill, 5-door	•	•	•
Self opening tailgate (with release motor)	o	•	o
Load cover, soft	•	•	•
Load protection net, soft - one piece	•	•	•
Grocery bag holder, cargo area	•	•	o

<b>STANDARD EQUIPMENT - INTERIOR Continued</b>	<b>Momentum</b>	<b>Inscription</b>	<b>REDESIGN</b>
12V power outlet, cargo area	•	•	•
Warning triangle	•	•	•
Temporary spare wheel - T125/80R17	•	•	•
Jack kit	•	•	•
<b>REDESIGN</b> Sport leather, perforated			•
<b>REDESIGN</b> Sport decor inlay			•
<b>REDESIGN</b> Sport steering wheel			•
<b>REDESIGN</b> Gear lever knob			•
<b>REDESIGN</b> Textile floor mats, (4 piece)			•
<b>REDESIGN</b> Sport pedals			•

<b>* OPTIONAL EQUIPMENT - SAFETY AND SECURITY</b>	<b>Price incl. 14% VAT</b>	<b>Momentum</b>	<b>Inscription</b>	<b>REDESIGN</b>
PCC (Personal Car Communicator) with keyless drive	R5,500.00	o	o	o
ACC (Adaptive Cruise Control) collision warning with auto brake, pedestrian and cyclist detection with queue assist (i) (iii)	R19,000.00	o	o	o
LDW (Lane Departure Warning) with DAC (Driver Alert Control) and front facing camera (i)	R9,600.00	o	o	o
BLIS (Blind Spot Information System) and Cross Traffic Alert (CTA)	R8,100.00	o	o	o
Park assist camera, rear	R9,300.00	o	o	o
Park assist - front & rear	R2,650.00	o	o	o
Automatic levelling system (Nivomat)	R7,650.00	o	o	n/a
Four-C chassis (iv)	R13,900.00	o	o	n/a
Speed sensitive power steering	R2,750.00	o	o	o
Navigation system	R22,000.00	o	o	o
First-aid kit	R300.00	o	o	o

<b>* OPTIONAL EQUIPMENT - INTERIOR</b>	<b>Price incl. 14% VAT</b>	<b>Momentum</b>	<b>Inscription</b>	<b>REDESIGN</b>
CZIP (Clean Zone Interior Package) (v)	R450.00	o	o	o
Humidity sensor	R1,250.00	o	o	o
Infrared reflective windscreen	R4,900.00	o	o	o
Heated steering wheel	R2,500.00	o	o	o
Sport leather	R5,750.00	o	o	n/a
Quick foldable backrest, passenger seat	R350.00	o	o	n/a
Power passenger seat	R4,350.00	o	•	o
Heated front seats	R1,750.00	o	o	o
Heated rear seat (ii)	R1,750.00	o	o	o
Electric folding rear headrests	R850.00	o	o	o
Integrated 2-stage booster cushions, outer positions	R2,750.00	o	o	o
Urbane wood décor inlay	R4,350.00	o	o	n/a
Piano black décor inlay	R2,200.00	o	o	n/a
Modern wood décor inlay	R4,350.00	o	o	n/a
Urbane wood steering wheel	R2,150.00	o	o	n/a
Gearshift paddles	R1,800.00	o	o	o





* OPTIONAL EQUIPMENT - INTERIOR Continued	Price incl. 14% VAT	Momentum	Inscription	REDESIGN
Automatically dimmed inner mirror + compass	R1,250.00	o	o	o
Automatic dimming inner & outer mirrors	R1,650.00	o	o	o
Textile floor mats black (4 piece) for beige interiors	no cost	o	o	n/a
Sunglass holder	R300.00	o	o	o
Premium Sound by Harman Kardon / AUX / USB / Bluetooth	R15,600.00	o	o	o
Subwoofer (vi)	R4,900.00	o	o	o
Remote control (Multimedia and Navigation)	R1,150.00	o	o	o

* OPTIONAL EQUIPMENT - EXTERIOR	Price incl. 14% VAT	Momentum	Inscription	REDESIGN
Metallic paint	R2,250.00	o	o	o
Sunroof (2 glass panoramic power sunroof)	R10,900.00	o	o	o
Heated windscreen	R3,650.00	o	o	o
Heated windscreen washer ballpoint nozzles	R750.00	o	o	o
Tinted windows, rear side doors and cargo area	R3,150.00	o	o	o
18" Pan wheels (7,5x18) (no cost on D5 and T6)	R7,000.00	o	o	n/a
18" Leda glossy black diamond cut wheels (no cost on D5 and T6)	R7,000.00	o	o	n/a
19" Lesath tech matt black diamond cut wheels (7,5x19)	R7,000.00	o	o	n/a
20" Avior wheels (8x20)	R11,400.00	o	o	n/a
20" Titania diamond cut wheels (8x20)	R11,400.00	o	o	n/a
REDESIGN 20" Ixion II matt black diamond cut wheels	R11,400.00	n/a	n/a	o
Lockable wheel bolts	R750.00	o	o	o

● = standard; o = option; n/a = not available \* Fitted at factory

- (i) Cannot be ordered in conjunction with IR (Infrared) reflective glass windscreen.
- (ii) Heated rear seat must be combined with heated front seats.
- (iii) Must be ordered in combination with LDW (Lane Departure Warning) system.
- (iv) Active Four-C Chassis cannot be combined with Load Compensating Suspension.
- (v) Only in combination with AQS (Air Quality System).
- (vi) Not available on T6 FWD.

Prices are inclusive of 14% VAT	Momentum	Inscription	RDESIGN
<b>SPORT PACK MOMENTUM - D4, T5</b>	<b>R 17,500.00</b>	<b>n/a</b>	<b>n/a</b>
Heated front seats	o		
Power operated tailgate	o		
Lockable wheel bolts	o		
Keyless entry PSC (Personal Security Communicator)	o		
Park assist - front & rear	o		
3-Spoke leather steering wheel with décor inlay	o		
Interior lighting - High version	o		
18" Leda diamond cut wheels (Swop for Pan, Lesath, Valder)	o		
<b>SPORT PACK MOMENTUM - D5, T6</b>	<b>R 13,250.00</b>	<b>n/a</b>	<b>n/a</b>
Heated front seats	o		
Power operated tailgate	o		
Lockable wheel bolts	o		
Keyless entry PSC (Personal Security Communicator)	o		
Park assist - front & rear	o		
3-Spoke leather steering wheel with décor inlay	o		
Gearshift paddles	o		
<b>SPORT PACK INSCRIPTION - D4, T5</b>	<b>n/a</b>	<b>R 12,500.00</b>	<b>n/a</b>
Heated front seats		o	
Lockable wheel bolts		o	
Keyless entry PSC (Personal Security Communicator)		o	
Park assist - front & rear		o	
18" Leda diamond cut wheels (Swop for Pan, Lesath, Valder)		o	
<b>SPORT PACK INSCRIPTION - D5, T6</b>	<b>n/a</b>	<b>R 9,000.00</b>	<b>n/a</b>
Heated front seats		o	
Lockable wheel bolts		o	
Keyless entry PSC (Personal Security Communicator)		o	
Park assist - front & rear		o	
Gearshift paddles		o	
<b>TECHNO PACK MOMENTUM</b>	<b>R 30,000.00</b>	<b>n/a</b>	<b>n/a</b>
Heated front seats	o		
Power operated tailgate	o		
Navigation system	o		
Keyless entry PSC (Personal Security Communicator)	o		
Park assist - front & rear	o		
Rear parking camera	o		
3-Spoke leather steering wheel with décor inlay	o		
<b>TECHNO PACK INSCRIPTION</b>	<b>n/a</b>	<b>R 26,500.00</b>	<b>n/a</b>
Heated front seats		o	
Navigation system		o	
Keyless entry PSC (Personal Security Communicator)		o	
Park assist - front & rear		o	
Rear parking camera		o	

Prices are inclusive of 14% VAT	Momentum	Inscription	RDESIGN
<b>PREMIUM PACK MOMENTUM</b>	<b>R 32,500.00</b>	<b>n/a</b>	<b>n/a</b>
Heated front seats	o		
Power operated tailgate	o		
Navigation System	o		
Keyless entry PSC (Personal Security Communicator)	o		
Park assist - front & rear	o		
Rear parking camera	o		
3-Spoke leather steering wheel with decor inlay	o		
Premium Sound multimedia & connectivity, AUX, USB, Bluetooth and 12 x loud speakers (Harman Kardon)	o		
<b>PREMIUM PACK INSCRIPTION</b>	<b>n/a</b>	<b>R 29,000.00</b>	<b>n/a</b>
Heated front seats		o	
Navigation system		o	
Keyless entry PSC (Personal Security Communicator)		o	
Park assist - front & rear		o	
Rear parking camera		o	
Premium Sound multimedia & connectivity, AUX, USB, Bluetooth and 12 x loud speakers (Harman Kardon)		o	
<b>RDESIGN PLUS</b>	<b>n/a</b>	<b>n/a</b>	<b>R 22,000.00</b>
Power passenger seat			o
Heated front seats			o
Power operated tailgate			o
Lockable wheel bolts			o
Load holder, trunk (grocery bag holder)			o
Keyless entry PSC (Personal Security Communicator)			o
Park assist - front & rear			o
Gearshift paddles			o
Interior lighting - High version			o
20" Ixion black diamond cut wheels (Swop for 18" Ixion black diamond cut wheels)			o
<b>RDESIGN PREMIUM PLUS</b>	<b>n/a</b>	<b>n/a</b>	<b>R 37,500.00</b>
Power passenger seat			o
Heated front seats			o
Power operated tailgate			o
Navigation System			o
Lockable wheel bolts			o
Load holder, trunk (grocery bag holder)			o
Keyless entry PSC (Personal Security Communicator)			o
Park assist - front & rear			o
Gearshift paddles			o
Interior lighting - High version			o
Premium Sound multimedia & connectivity, AUX, USB, Bluetooth and 12 x loud speakers (Harman Kardon)			o
20" Ixion black diamond cut wheels (Swop for 18" Ixion black diamond cut wheels)			o

o = option; n/a = not available







# VOLVO SENSUS. YOU'RE IN CONTROL, NATURALLY.

## *SENSUS*

YOUR SPACE

Yes, the new Volvo XC60 has a beautifully sculpted exterior. But why should passers-by get all the enjoyment? Since you'll spend most of your time in the driver's seat, we've designed a gorgeous space around you. We've made all your instruments and controls as easy to use and intuitive as possible. We call this approach to connecting you and your car with the world around you "Sensus". Our beautiful new Adaptive Digital Display is the latest expression of this philosophy. Not only does it give you all the information you need without overwhelming you with data, it also gives you three modes to choose from – Elegance, Eco and Performance. Together with the Sensus screen in the dashboard, it

makes commanding your drive an effortless experience. And with Sensus Connected Touch, the 7-inch Sensus screen becomes a connected multimedia hub, giving you access to embedded connected navigation, music streaming and internet connection.

But it's not just our displays that are things of functional beauty. We've put the same amount of care into the steering wheel, as well as our iconic floating centre stack with our trademark "mannekin" climate control buttons.

# OH YES. DID WE MENTION SAFETY?

## INTELLISAFE

WE CARE ABOUT YOU

In 1927 our founders, Assar Gabrielsson and Gustaf Larson, decided to make really strong cars that could cope with our rough country roads. But strength alone wasn't enough. They also had a vision: "Cars are driven by people," they said, "so the guiding principle behind everything we make at Volvo is – and must remain – safety." Now our goal is that, by 2020, nobody shall be seriously injured or killed in a new Volvo. We think our founders would have approved.

In order to help us achieve this goal, and in keeping with our philosophy of making your life easier, your XC60 has a whole suite of intuitive safety technologies inside it. They're there to support your daily driving, protecting you in the event of an accident and often preventing collisions in the first place. We call this IntelliSafe.

We know XC60 owners love driving, but in a world of busier and busier roads, you are constantly exposed to other people's

mistakes. That's why IntelliSafe offers some really smart technologies such as City Safety, Collision Warning with Full Auto Brake and Pedestrian Detection as well as Cyclist Detection.

And because you love driving, it's good to know that your XC60 doesn't just protect you – it actively supports you too. Take Active High Beam. With this system, your headlights stay on full beam all the time. When another car comes around towards you, the system prevents dazzling the other driver by shading out only as much of your beam as necessary – no more, no less. Our Dynamic Stability and Traction Control (DSTC) is another IntelliSafe technology. If there's a risk of your XC60 losing stability, DSTC applies just the right amount of brake force and reduces engine power as needed in order to prevent skidding. You'll probably never notice a thing.

## DRIVE-E

YOUR ENGINE CHOICE

Drive-E is at the heart of every Volvo we make. It's our all-encompassing approach to sustainable driving, our innovative thinking behind a whole range of technologies that will give you more efficiency – and lower running costs – without compromising on a pleasurable drive.

Our Drive-E technological advances include reducing the friction within our engines and a host of aerodynamic improvements to help you get the maximum benefit from your engine and the fuel you put into your car. We employ Start / Stop technology, energy

recovery systems and always strive to make our manufacturing processes more sustainable – all of the electricity for our factory in Sweden comes from clean, hydroelectric power. After all, environmentally-aware mobility is central to our philosophy of intelligent, thoughtful luxury.

Integral to this is the wide choice of powerful, efficient engines available for the XC60, ranging from the four-cylinder 2.0 litre turbodiesel D4, to the powerful T6 225kW petrol option.



In town, City Safety is designed to prevent you from colliding with the car in front if it stops suddenly. This advanced IntelliSafe system works at speeds of up to 50 km/h and senses if you're about to collide with another car, then, if necessary, applies the brakes.



We've further improved our Blind Spot Information System (BLIS). It now uses radar technology to alert you to vehicles closing up in your blind spot. There's also Cross Traffic Alert, which watches out for vehicles you can't see when you're reversing out of tight parking spaces.



Because we care about other road-users just as much as you, Pedestrian Detection with Full Auto-Brake watches out for people walking into your path and applies the brakes if you're unable to react in time.

**R**DESIGN



## **Dynamically expressive. Flawlessly synchronised. Beautifully balanced. And that's just the sports chassis.**

With the Volvo XC60 R-DESIGN variant, the well-equipped Volvo XC60 acquires even more confidence, inside and out. Boldly provocative yet tastefully reserved, the exclusive R-DESIGN styling elements express a definitive passion for sport. From the R-DESIGN grille to the 90 mm tailpipes, the Volvo XC60 R-DESIGN exudes confidence at every turn. Yet, it's in the turns where the sports chassis really compliments the swift agility and sweeping artistry of this bold crossover.



#### **Sports tailpipes**

From behind, the dual 90 mm tailpipes give the XC60 R-DESIGN a powerful, no-nonsense demeanour.

#### **Sports chassis**

Perceptibly yet subtly different, the shocks, springs and anti-roll bars are adjusted and tuned to be firmer and more balanced. The result is improved control and a sportier, road hugging drive.

#### **Sports steering wheel**

Get to grips with this exclusive leather 3-spoke sports steering wheel with R-DESIGN logo.

#### **Sports gear knob**

An illuminated gear knob with perforated leather, gives a performance ready look and feel.

#### **Sports pedals**

Racetrack inspired to enhance the driving experience, enjoy the feel of these ridged sports pedals.

#### **Sports floor mats**

These black, ribbed and richly tufted sports floor mats set the stage, front and back.

**COLOUR YOUR VOLVO.** When it comes to the appearance of your Volvo, the choice of exterior colour and wheels are probably your most important design decisions. For more exterior styling options and to build your new Volvo online, please visit [www.volvocars.com/za](http://www.volvocars.com/za)



019 Black stone solid



467 Magic blue metallic



477 Electric silver metallic (i)



484 Seashell metallic



492 Savile grey metallic (i)



612 Passion red solid (ii)



614 Ice white solid (i)



700 Twilight bronze metallic



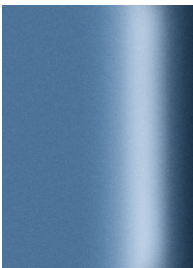
707 Crystal white pearl metallic (i)



711 Bright silver metallic



712 Rich Java metallic (i)



713 Power blue metallic (i)



714 Osmium grey metallic (i)



717 Onyx black metallic (i)

(i) Also available for **REDESIGN**

(ii) **REDESIGN** only

**Please note:** It's not possible to reproduce exact original shades in printed matter. Please ask your dealer to show you samples.

**CLEAN COLOURS** To reduce usage of environmentally hazardous solvents all Volvo exterior colours are water-based. What's more, our painting facilities are among the cleanest in the world.





**EXTERIOR DESIGN** Aluminium wheels



17" Valder silver



18" Pan



18" Leda light grey  
diamond cut



18" Leda glossy black  
diamond cut



18" Ixion II (REDESIGN only)



19" Lesath tech  
matt black diamond cut



20" Avior



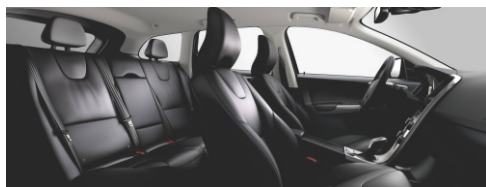
20" Titania diamond cut



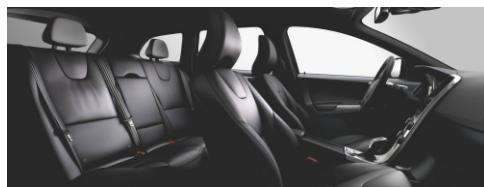
20" Ixion II (REDESIGN only)

**BESPOKE TAILORING FROM VOLVO.** The finest fabrics, superb stitching and minute attention to detail – whichever interior you choose for your Volvo XC60, you'll be surrounded by luxury. How will you tailor yours?

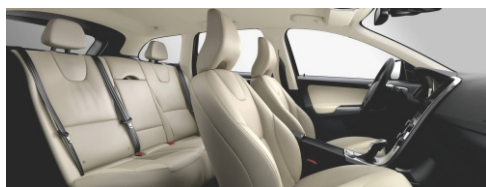
**NB** It is not possible to reproduce exact original shades in printed matter.



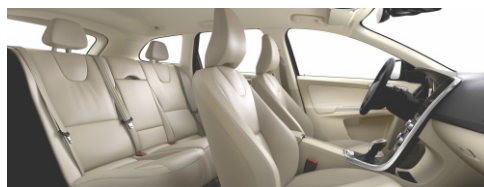
G701



G761



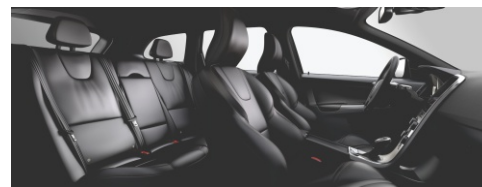
G70B



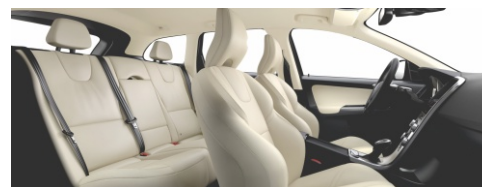
G71T



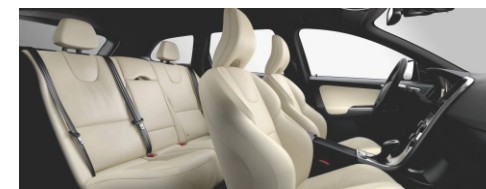
G301



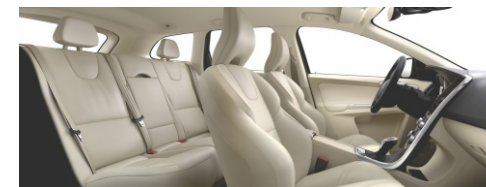
G361



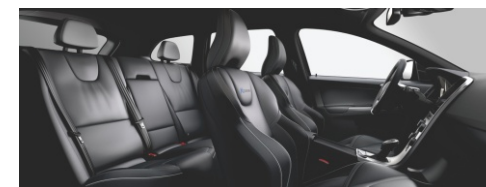
G30B



G36B



G31T



GT60 (R-DESIGN)

Code	Description	Interior colour	Upholstery colour	Dashboard top	Door panel, lower dashboard, & upper tunnel console	Carpet & lower tunnel console	Door panel insert colour	Headliner colour
<b>Standard leather</b>								
G701	Off Black	Anthracite Black	Off Black	Off Black	Off Black	Off Black	Off Black	Quartz
G70B	Soft Beige	Anthracite Black	Soft Beige	Off Black	Off Black	Off Black	Soft Beige	Soft Beige
G761	Off Black	Anthracite Black	Off Black	Off Black	Off Black	Off Black	Off Black	Charcoal
G71T	Soft Beige	Sandstone Beige	Soft Beige	Off Black	Soft Beige	Soft Beige	Soft Beige	Soft Beige
<b>Sport leather</b>								
G301	Off Black	Anthracite Black	Off Black	Off Black	Off Black	Off Black	Off Black	Quartz
G361	Off Black	Anthracite Black	Off Black	Off Black	Off Black	Off Black	Off Black	Charcoal
G30B	Soft Beige	Anthracite Black	Soft Beige	Off Black	Off black	Off black	Soft Beige	Soft Beige
G36B	Soft Beige	Anthracite Black	Soft Beige	Off Black	Off Black	Off Black	Soft Beige	Charcoal
G31T	Soft Beige	Sandstone Beige	Soft Beige	Off black	Soft Beige	Soft Beige	Soft Beige	Soft Beige
<b>R-Design Sport leather</b>								
GT60	Off Black	Off Black	Off Black	Off Black	Off Black	Off Black	Off Black	Charcoal









## INTERIOR DESIGN



Leather steering wheel, Off black



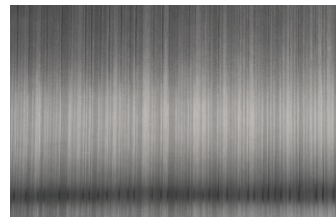
Leather steering wheel, Off black with Silk metal inlay



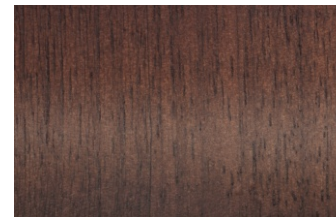
Leather steering wheel, with Urbane wood inlay



Piano black gear knob



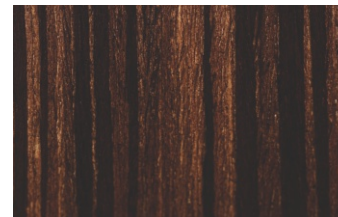
Shimmer graphite inlay



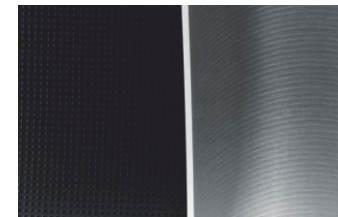
Modern wood inlay



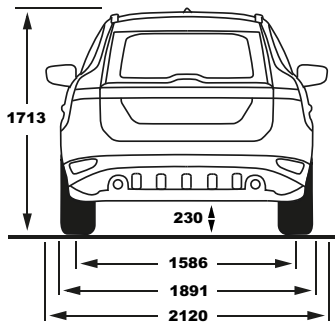
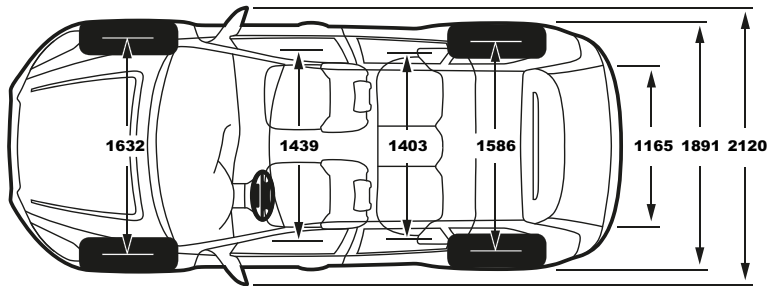
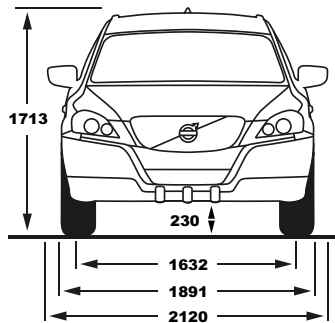
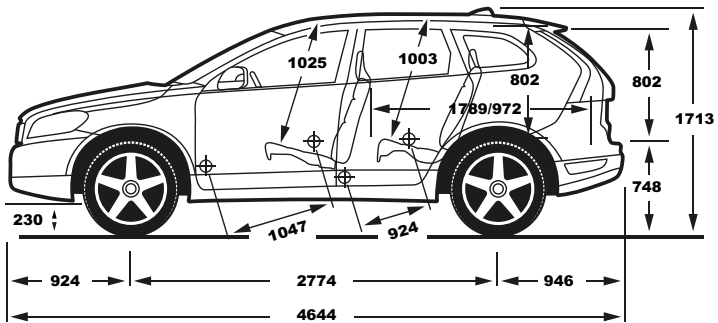
Piano black décor inlay



Urbane wood inlay



R-DESIGN décor inlay



- (i) The results do not express or imply any guarantee of the fuel consumption of a particular car as there are inevitable differences between individual cars of the same model.  
Additionally, driving style, traffic conditions, as well as the age and mileage and standard of maintenance will affect a car's fuel consumption.
- (ii) The Urban fuel consumption figure is based on typical city driving, including starting the car from cold. The Extra Urban figure is based on typical motorway driving and cruising.  
The Combined figure averages the consumption across both cycles.
- (iii) Unbraked towing weight must not exceed 50% of kerb weight up to a maximum of approximately 750 kg.

**Notes**

The weight of the vehicle will influence the level of CO<sub>2</sub> emitted. As a result, vehicles with higher levels of specification and factory fit options may emit higher levels of CO<sub>2</sub>.

A weighbridge must be used to determine specific weights.  
Data valid for manual transmission unless specified.  
Gt = Geartronic Automatic Transmission.  
All measurements in mm.

The Max. output figures are quoted in PS (Pferdestärke), which is the metric equivalent of brake horsepower.

**NB** Some of the information in this brochure may not be correct due to product changes which may have occurred since it was printed. Some of the equipment described or shown may now be available only at extra cost. Before ordering, please ask your Volvo dealer for the latest information. The manufacturer reserves the right to make changes at any time, without notice, colour, materials, specifications and models.

Volvo Car South Africa.





**IN FINE DETAIL.** The nuts and bolts of your Volvo XC60. Whatever you need to know about your new car – whether that’s fuel consumption, CO<sub>2</sub> emissions, top speed or boot space – you’ll find it here.

ENGINE		T5 FWD Geartronic	D4 FWD Geartronic	D5 AWD Geartronic	T6 FWD Geartronic
Configuration		Transverse – 16 valve	Transverse – 16 valve	Transverse – 20 valve	Transverse – 16 valve
Cylinders		4	4	5	4
Engine capacity, cc		1969	1969	2400	1969
Bore x stroke, mm		82 x 93.2	81 x 77	81 x 93.15	82 x 93.2
Max. output ECE,	PS kW rpm	245 180 5500	190 140 4250	220 162 4000	306 225 5700
Max. torque ECE,	Nm rpm	350 1500-4800	400 1750-2500	440 1500-3000	400 2100-4800
Octane rating		95 RON unleaded	50ppm Diesel	50ppm Diesel	95 RON unleaded
Fuel system		Direct fuel injection	Common rail direct injection	Common rail direct injection	Direct fuel injection
Compression ratio		10.8:1	15.8:1	16.5:1	10.3:1

PERFORMANCE		T5 FWD Geartronic	D4 FWD Geartronic	D5 AWD Geartronic	T6 FWD Geartronic
Top speed km/h		210	210	210	210
Acceleration 0-100 km/h sec		7.2	8.1	8.2	6.9
Drag coefficient		0.35	0.35	0.35	0.35

FUEL CONSUMPTION <sup>(1) (2)</sup>		T5 FWD Geartronic	D4 FWD Geartronic	D5 AWD Geartronic	T6 FWD Geartronic
Urban	ℓ / 100 km	8.9	5.3	8.5	9.5
Extra Urban	ℓ / 100 km	5.5	4.4	5.3	6.0
Combined	ℓ / 100 km	6.7	4.7	5.7	7.0
CO <sub>2</sub> g/km		157	124	149	163
Fuel tank capacity	(litres)	70	70	70	70



POWER STEERING SYSTEM	ALL MODELS
Turning circle, m (rack and pinion)	11.7

LUGGAGE COMPARTMENT	ALL MODELS
Volume, litres	650
Volume, rear seats down, litres	1450

TRANSMISSION	ALL MODELS
Geartronic (D5, AWD)	6 speed
Geartronic (D4, T5, T6 FWD)	8 speed

BRAKES	ALL MODELS
Front disc diameter, mm	328
Rear disc diameter, mm	302

WEIGHT	T5 FWD Geartronic	D4 FWD Geartronic	D5 AWD Geartronic	T6 FWD Geartronic
Min. kerb weight, kg (actual kerb weight dependent on spec.)	1714	1727	1804	1728
Max. possible towing weight braked, kg	1600	1800	2000	1600
Max. towing weight unbraked, kg (iii)	750	750	750	750
Max. towball weight, kg	90	90	90	90
Max. total weight, kg	2505	2505	2505	2505
Max. roof load, kg	100	100	100	100
Max. payload, kg (dependent on spec.)	790	777	704	776

GROUND CLEARANCE	ALL MODELS
Vehicle ground clearance, mm	230
with 2 persons, mm	220
Wading depth, mm	350
Approach angle	22°
Departure angle	27°
Breakover angle	22°



## Volvo Car Financial Services

A division of 

---

## My Volvo

A personalised website for you and your car.

My Volvo gives you:

- News and updates about your car ownership.
- Allows you to follow the main events during the ownership lifetime of your Volvo.
- Easy to reach your dealer for service booking.
- Tips to simplify your everyday life.
- Quick answers to questions about your car.
- Offers that are relevant to you and your car.
- Exclusive articles, films and photographs, plus behind-the-scenes look into the world of Volvo.
- Reminders regarding important stages of car ownership.

### Everything you really need to know to get the most out of your Volvo.

On My Volvo, you'll find personalised offers and helpful information, exclusive articles and films, plus all the latest relevant news and updates from Volvo. You can also take advantage of innovative and useful functions, such as Online Service Booking. Everything is easy-to-use, easy-to-find and, most importantly, everything is designed with you and your particular Volvo model in mind.

Sign up at [www.volvocars.com/za](http://www.volvocars.com/za)

**The number to call is 0800 698 6586**

---

## Tracker Connect

On 1 January 2014, Tracker Connect became Volvo's new roadside assistance partner.

Tracker Connect has been South Africa's leading vehicle tracking company since the 1990s. While vehicle tracking and Stolen Vehicle Recovery (SVR) remains the company's core business, the Tracker of today has evolved into a highly sophisticated technological company offering leading edge fleet management and telematics solutions to both individuals and organisations throughout Southern Africa.

### Services include:

- Medical emergency assistance
- Fuel assistance
- Recovery towing
- Emergency transportation
- "Stand by you" roadside security
- Free Mobile app
- Web access to conveniently position your vehicle or draw reports which can be used to log and submit business or private usage to SARS.
- Flat tyre assistance
- Battery service
- Overnight accommodation
- Accident tow
- Repatriation
- In-car Volvo assist button
- Impact detection
- Mileage monitoring
- Volvo Car South Africa branded smartphone app.

Furthermore, the option to include Proactive Vehicle Recovery for as little as R199\* per month is also available. This option also includes access to value added services such as Care, Legal Assist and Theft Rescue.

\* Reviewed and adjusted annually.

**The number to call is 0800 698 6586**

---

## Volvo Car Financial Services

has flexible financing options that enable you to structure your deal according to your specific requirements.

We want your experience of buying and owning a Volvo to be enjoyable and hassle free, that is why we have developed the following online service tools:

- Online finance application – apply for finance anytime of the day or and get an instant answer.
- Calculators – calculate your monthly repayments or calculate the value of a vehicle that you could buy based on a specified monthly repayment.
- Account services – manage your account in a secure and user-friendly online environment in real time.

So, remember to insist on Volvo Car Financial Services at your dealer or simply visit [www.volvocars.com/za](http://www.volvocars.com/za) for more information.

**V O L V O**

**All models standard with a 5 year / 100 000km Volvo Plan.**

**NB** Some of the information in this brochure may not be correct due to product changes which may have occurred since it was printed. Before ordering, please ask your Volvo dealer for the latest information. The manufacturer reserves the right to make changes at any time, without notice, to colour, materials, specifications and models.

[VOLVOCARS.COM/ZA](http://VOLVOCARS.COM/ZA)