



THE NEW
VOLVO V40
CROSS COUNTRY

V40 CROSS COUNTRY MOMENTUM

The Volvo V40 Cross Country Momentum variant has a high standard specification level that includes the following: High Performance Sound with multimedia connectivity and Bluetooth®, USB and iPod functionality, comfort leather seats, cruise control, rain sensor with automatic wiper function, rear park assist, front tread plates and a power adjustable driver's seat with memory function.

Variants:	Diesel	Petrol
	D3 Geartronic	T4 Manual or Geartronic
	D4 Geartronic	T5 Geartronic AWD

V40 CROSS COUNTRY INSCRIPTION

The most luxurious version of the Volvo V40 Cross Country offers the following features over-and-above Momentum specification: a power adjustable passenger seat, an active TFT crystal driver's instrument display, illuminated gearshift knob, LED illumination with the iconic Thor's Hammer design, a 3-spoke leather steering wheel with chrome décor and a high version interior lighting package.

Variants:	Diesel	Petrol
	D3 Geartronic	T4 Manual or Geartronic
	D4 Geartronic	T5 Geartronic AWD





THE RIGHT EQUIPMENT. It is essential that your Volvo comes equipped with everything you need. Below you will find standard equipment for each model variant, plus optional equipment to personalise your Volvo V40 Cross Country. And as you would expect, there is an array of industry-leading, cutting edge safety innovations.

STANDARD EQUIPMENT - SAFETY AND SECURITY	Momentum	Inscription
City Safety	•	•
Stop / Start technology	•	•
Knee airbag, driver side	•	•
Driver and passenger airbags	•	•
Inflatable curtains	•	•
Whiplash protection, front seats	•	•
SIPS airbags	•	•
Alarm	•	•
Immobiliser	•	•
IMS (Interior Movement Sensor)	•	•
Inclination sensor	•	•
Key integrated remote control, central locking	•	•
Home safe approach lighting	•	•
Manual child lock, rear side doors	•	•
Lockable glove box	•	•
Tempered and laminated side windows	•	•
Dynamic chassis	•	•
ESC (Electronic Stability Control)	•	•
ASC (Advanced Stability Control)	•	•
ABS (Antilock Brake System)	•	•
Hill Start Assist	•	•
Rear belt detection, left, right and middle belts	•	•
Adaptable pyrotechnical pre-tensioners, all 4 outer seats	•	•
PACOS (Passenger Airbag Cut-off switch)	•	•
ISOFIX - outer positions, rear seat	•	•
EBA (Emergency Brake Assist)	•	•
Emergency brake lights, flashing	•	•
High positioned rear brake light	•	•
IDIS (Intelligent Driver Information System)	•	•

STANDARD EQUIPMENT - EXTERIOR	Momentum	Inscription
Laminated front windscreen	•	•
Heated rear window	•	•
Front reading and footwell lights	•	•
Interior lights package - high version	○	•
Bright roof rails	•	•
Glossy black décor mouldings around side windows	•	•
Silver rear skid plate	•	•





STANDARD EQUIPMENT – EXTERIOR Continued

	Momentum	Inscription
Side scuff plates - silver	●	●
Heated and electrically adjustable side mirrors	●	●
Retractable side mirrors	●	●
Puddle lights in side mirrors	●	●
Glossy solid black mirror covers	●	●
Halogen lights with level adjuster	●	n/a
LED headlights with Thor's Hammer design	○	●
Daytime running lights - bulb type	●	n/a
LED daytime running lights combined with position lights	○	●
Roof spoiler, high performance optimised	●	●
Rear fog light, auto-off	●	●
Standard honeycomb grille	●	●
Front door tread plates	●	●
Rain sensor	●	●
17" Keid silver wheels (7x17) (standard on T4)	●	●
18" Metallah tech matt black diamond cut wheels (7,5x18) (standard on D3, D4, T5)	●	●
Indirect TPMS (Tyre Pressure Monitoring System)	●	●

STANDARD EQUIPMENT – INTERIOR

	Momentum	Inscription
ECC (Electronic Climate Control) dual zone	●	●
Pollen filter	●	●
Front and rear power windows	●	●
Analogue instrument cluster	●	n/a
Digital combined instrument cluster with TFT crystal display	○	●
Standard comfort leather seats	●	●
Power driver seat and memory for seat and side mirrors	●	●
Adjustable passenger seat with lumbar support, 6-way	●	n/a
Power passenger seat	○	●
Quick foldable backrest, passenger seat	●	●
Milled aluminium décor inlay	●	●
Deco insert, doors / dashboard, bright	●	●
Leather steering wheel, 3-spoke	●	n/a
Leather steering wheel with décor inlay, 3-spoke	○	●
Standard colour steering wheel	●	●
Leather handbrake	●	●
Leather gearknob	●	●
Chrome rings on audio and climate control knobs	●	●
Automatic dimming inner rearview mirror, frameless design	●	●
Illuminated sun visors, driver and passenger side	●	●
Cigarette lighter and ashtray	●	●
Cup holders in rear seat	●	●
Carpet kit	●	●
Front cup holders in tunnel console	●	●

STANDARD EQUIPMENT - INTERIOR Continued	Momentum	Inscription
Storage in front doors	●	●
Storage in front of centre console	●	●
Sliding front armrest, tunnel console	●	●
Load cover / parcel shelf	●	●
Foldable high positioned luggage load floor	●	●
12V power outlet, cargo area	●	●
Warning triangle	●	●
Tempa spare wheel - T115/90R16	●	●
Jack kit	●	●
Trip computer	●	●
Cruise control	●	●
Park assist, rear	●	●
Electric power steering	●	●
High Performance Sound Multimedia and Connectivity, USB, Bluetooth® and 8 x loud speakers	●	●
Connected Service Booking	●	●
Single DVD, 7" colour display screen and internet connectivity	●	●
USB & iPod function	●	●
Audio buttons in steering wheel	●	●

* OPTIONAL EQUIPMENT - SAFETY AND SECURITY	Price incl. 14% VAT	Momentum	Inscription
PCC (Personal Car Communicator) + Keyless Drive	R5,650.00	○	○
Electric child lock, rear side doors	R750.00	○	○
Collision warning with full auto brake, Pedestrian and Cyclist detection, Adaptive Cruise Control with ACC to CC toggling (manual gearbox) (ii)	R19,000.00	○	○
Collision warning with full auto brake, Pedestrian and Cyclist detection, Adaptive Cruise Control, Stop & Go with ACC to CC toggling (automatic gearbox) (ii)	R19,000.00	○	○
Driver alert system with lane keeping aid and front facing camera, active high beam	R9,750.00	○	○
BLIS (Blind Spot Information System) + CTA (Cross Traffic Alert)	R8,250.00	○	○
Rear parking camera	R9,300.00	○	○
Park assist front and rear	R2,850.00	○	○
Park assist pilot + park assist, front and rear	R7,000.00	○	○
Pedestrian airbag	R7,500.00	○	○

* OPTIONAL EQUIPMENT - INTERIOR	Price incl. 14% VAT	Momentum	Inscription
Driver information module with TFT crystal display	R4,350.00	○	●
Steering forces - 3 settings (Normal, City, Sport)	R2,750.00	○	○
Dark colour steering wheel (Light interiors)	no cost	○	○
AQS (Air Quality System)	R1,275.00	○	○
Power passenger seat	R4,500.00	○	●
Heated front seats	R1,850.00	○	○
Textile / T-Tec City Weave upholstery	no cost	○	○





* OPTIONAL EQUIPMENT – INTERIOR Continued	Price incl. 14% VAT	Momentum	Inscription
Heated rear seat (i)	R1,850.00	o	o
Copper Dawn décor inlay with bright frames	no cost	o	o
Black grid aluminium inlay	no cost	o	o
Leather steering wheel with décor inlay, 3-spoke	R850.00	o	●
Gearshift paddles (automatic gearbox)	R1,850.00	o	o
Interior lighting - high version	R850.00	o	●
Gear lever illumination	R750.00	o	●
Compass in rearview mirror	R1,275.00	o	o
Sunglasses holder	R315.00	o	o
Load protection net, soft - one piece	R900.00	o	o
Premium Sound Multimedia and internet connectivity, USB, Bluetooth® and 10 x loud speakers (Harman Kardon)	R15,600.00	o	o
Navigation system with RTTI and TMC	R10,500.00	o	o
Remote control (navigation and multimedia)	R1,200.00	o	o
First-aid kit	R315.00	o	o

* OPTIONAL EQUIPMENT – EXTERIOR	Price incl. 14% VAT	Momentum	Inscription
Metallic paint	R2,350.00	o	o
LED headlights with automatic bending and headlight washers – high level	R8,500.00	o	o
Heated windscreen	R3,650.00	o	o
Tinted windows, rear side doors + cargo area	R3,200.00	o	o
Fixed panoramic sunroof with electric sliding curtain	R8,500.00	o	o
Water repellent front side windows	R800.00	o	o
LED daytime running lights, DRL	R1,650.00	o	n/a
16" Genam black diamond cut wheels (optional on T4)	no cost	o	o
17" Keid wheels (optional on D3, D4 and T5)	no cost	o	o
18" Metallah tech matt black diamond cut wheels (optional on T4)	R7,500.00	o	o
19" Damara grey diamond cut wheels (7,5x19)	R7,500.00	o	o
Lockable wheel bolts	R800.00	o	o

● = standard; o = option; n/a = not available

* Fitted at factory.

(i) Must be ordered in conjunction with heated front seats.

(ii) Must be ordered in combination with driver alert system.

Prices are inclusive of 14% VAT	Momentum	Inscription
SPORT PACK - T4	R 22,500.00	R 12,500.00
Graphic combined instrument cluster with TFT liquid crystal display	o	●
Headlight high pressure cleaning system	o	o
Lockable wheel nuts	o	o
PCC with Keyless Drive	o	o
LED headlights with active bending - high level	o	o
Park assist front and rear (swop for park pilot)	o	o
18" Metallah wheels (swop for Damara or standard wheels)	o	o
Sport leather steering wheel with décor inlay	o	●
Steering forces - 3 settings (Normal, City, Sport)	o	o
Interior Theatre Lighting - high version	o	●
Illuminated gear knob + interior lights	o	●
SPORT PACK - D3, D4, T5	R 18,500.00	R 8,750.00
Graphic combined instrument cluster with TFT liquid crystal display	o	●
Headlight high pressure cleaning system	o	o
Lockable wheel nuts	o	o
PCC with Keyless Drive	o	o
LED headlights with active bending - high level	o	o
Park assist front and rear (swop for park pilot)	o	o
Sport leather steering wheel with décor inlay	o	●
Gearshift paddles	o	o
Steering forces - 3 settings (Normal, City, Sport)	o	o
Interior Theatre Lighting - high version	o	●
Illuminated Gear knob + interior lights	o	●
18" Metallah wheels [swop for Damara, Keid]	●	●
TECHNO PACK	R 26,500.00	R 16,750.00
Heated front seats	o	o
Graphic combined instrument cluster with TFT liquid crystal display	o	●
Headlight high pressure cleaning system	o	o
Navigation system with RTTI and TMC	o	o
PCC with Keyless Drive	o	o
LED headlights with active bending - high level	o	o
Park assist front and rear (swop for park pilot)	o	o
Sport leather steering wheel with décor inlay	o	●
Steering forces - 3 settings (Normal, City, Sport)	o	o
Interior Theatre Lighting - high version	o	●
Illuminated Gear knob + interior lights	o	●

Prices are inclusive of 14% VAT	Momentum	Inscription
PREMIUM PACK	R 30,000.00	R 20,000.00
Heated front seats	o	o
Graphic combined instrument cluster with TFT liquid crystal display	o	●
Headlight high pressure cleaning system	o	o
Navigation system with RTTI and TMC	o	o
PCC with Keyless Drive	o	o
LED headlights with active bending - high level	o	o
Park assist front and rear (swop for park pilot)	o	o
Sport leather steering wheel with décor inlay	o	●
Steering forces - 3 settings (Normal, City, Sport)	o	o
Interior Theatre Lighting - high version	o	●
Illuminated Gear knob + interior lights	o	●
Premium Sound Multimedia and Connectivity + 10 speakers (Harman Kardon)	o	o
DRIVER SUPPORT PACK	R 32,500.00	R 32,500.00
BLIS (Blind Spot Information System)	o	o
Forward collision warning and LKA (Lane Keeping Aid) system	o	o
Rear parking camera	o	o
ACC (Adaptive Cruise Control) with collision warning and pedestrian detection system	o	o

● = standard; o = option; n/a = not available





“Sensus is our way of enabling you to communicate instinctively with your car, and keep you connected with your digital world.”

YOU'RE IN CONTROL, NATURALLY.

SENSUS

We have designed a gorgeous space around the driver. All of our instruments and controls are intuitive and easy to use. We call this approach of connecting you and your car with the world around you, “Sensus”.

You can also choose between three unique instrument cluster modes to customize your driving experience even further.

The Sensus screen is a multimedia hub, giving you immediate connectivity to information and entertainment at your fingertips.



City Safety functions at speeds up to 50 km/h. This system can help prevent a collision if the difference in speed between your vehicle and the vehicle ahead is less than 15 km/h.

We've further improved our optional Blind Spot Information System (BLIS). It now uses radar technology to alert you to vehicles closing up in your blind spot. There's also Cross Traffic Alert, which watches out for vehicles you can't see when you're reversing out of tight parking spaces.

Because we care about other road-users just as much as you, Pedestrian and Cyclist Detection with Full Auto-Brake watches out for pedestrians and cyclist in your path and applies the brakes if you're unable to react in time.

“Relax and let your Volvo do the hard work for you.”

“Our Drive-E powertrains give you an exhilarating driving experience with smooth, instant response and a reduced environmental impact.”

COMMITTED TO SAFETY.

SUSTAINABLE DRIVING IS EXCITING.

INTELLISAFE

Since the birth of Volvo Cars in 1927, keeping you safe has been part of our DNA. We have pioneered safety advances and invented life-saving technologies, such as the three-point safety belt. We have also equipped all of our cars with safety cages and laminated windscreens since 1944. In 1976, we developed the catalytic converter and the lambda sond, a sensor that monitors exhaust gas, reducing emissions and boosting performance as well as economy.

Today, we are building cars that actively scan the area around you, looking out for the unexpected. Volvo pioneered City Safety, a low-speed collision avoidance technology that helps prevent collisions at speeds up to 50 km/h. We were the world's first car manufacturer to include this feature as standard equipment in all new models.

We also developed Pedestrian Detection, a system that detects pedestrians and brakes

the car when necessary, and we will not stop there.

Tracker Connect provides access to roadside assistance and emergency support at the touch of a button. Also included is automatic collision alert, which notifies a trained operator to contact the vehicle and send emergency service as soon as a collision is detected. In the future, our aim is to design cars that will prevent collisions with other road users altogether.

DRIVE-E

At the heart of every Volvo car we make is our approach to sustainable driving and innovative thinking. We offer a range of technologies that give you greater efficiency and lower running costs.

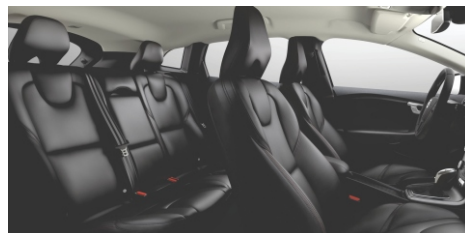
Our Drive-E powertrains combine the low fuel consumption and emissions of a four cylinder engine with the performance of a six or eight cylinder engine. The result is a smooth, powerful ride, with fewer stops at the pumps. We also offer an interior Air Quality System that checks incoming air for pollutants and closes the vents when necessary – we call this CleanZone. An active carbon filter helps

protect you from harmful gases and unpleasant odors, so you can breathe happy and healthy.

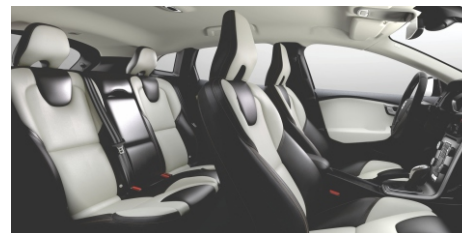
At Volvo Cars, we always strive to make our manufacturing process sustainable. All of the electricity for our factories in Sweden and Belgium comes from clean hydro-electric or wind power. Environmentally-aware mobility is central to our philosophy of intelligent, thoughtful luxury.



BESPOKE TAILORING FROM VOLVO. The finest fabrics, superb stitching and exacting attention to detail – whichever interior you choose for your Volvo V40 Cross Country, you will be surrounded by luxury. How will you tailor yours?



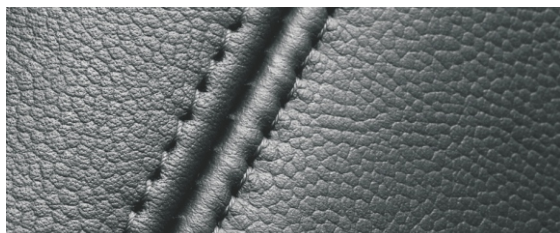
S100



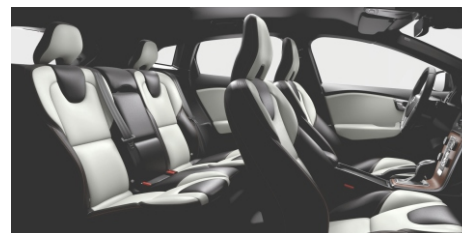
S10F



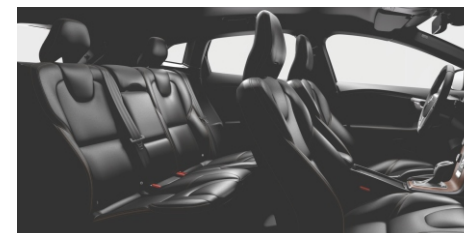
S107



S12G



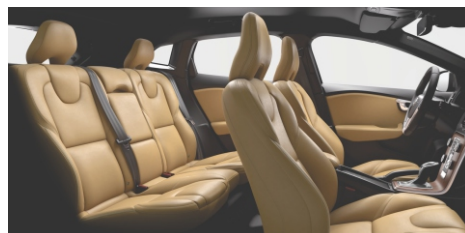
S16F



S160

LEATHER. This is the upholstery that affords the Volvo V40 Cross Country an atmosphere of luxury. It is a new hide quality that is smooth, durable and has a fine grain pattern. Like all Volvo leather, it is organically tanned and ages beautifully.

NB It is not possible to reproduce exact original shades in printed matter.



S167



S92G

Code	Interior colour	Upholstery colour	Upper part of dashboard	Door panel, lower dashboard and upper tunnel console	Base and inlay carpets	Door panel inserts	Armrest / Door tunnel thread	Headliner colour
Standard leather								
S100	Charcoal Interior	Charcoal	Charcoal	Charcoal	Charcoal Solid	Charcoal	CC Brown	Blond
S10F	Charcoal Interior	Charcoal / Blond	Charcoal	Charcoal	Charcoal Solid	Blond	CC Brown	Blond
S107	Charcoal Interior	Amber	Charcoal	Charcoal	Charcoal Solid	Amber	Amber	Blond
S12G	Charcoal / Blond	Blond	Charcoal	Blond	Charcoal Solid	Blond	Blond	Blond
S16F	Charcoal Interior	Charcoal / Blond	Charcoal	Charcoal	Charcoal Solid	Blond	Brown	Charcoal
S160	Charcoal Interior	Charcoal	Charcoal	Charcoal	Charcoal Solid	Charcoal	Brown	Charcoal
S167	Charcoal Interior	Amber	Charcoal	Charcoal	Charcoal Solid	Amber	Amber	Charcoal
Dynamic Textile / Tricotex								
S92G	Charcoal / Blond	Blond	Charcoal	Blond	Charcoal Solid	Blond	White	Blond



INTERIOR DETAILS. A selection of premium materials to complement your interior upholstery.



Leather steering wheel, Charcoal.



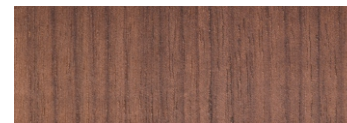
Leather steering wheel, Blond.



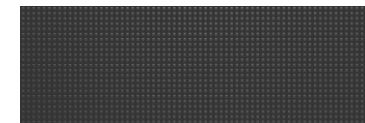
Leather steering wheel with silver inlay.



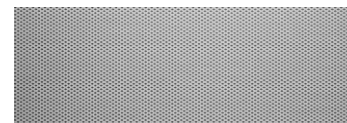
Illuminated leather gear knob



Modern wood inlay



Black grid aluminium inlay



Milled aluminium inlay



Copper dawn inlay

COLOUR YOUR VOLVO. When it comes to the appearance of your Volvo, the choice of exterior colour and wheels are probably your most important design decisions. For more exterior styling options and to build your new Volvo online, please visit www.volvocars.com/za and go to Car Configurator.



019 Black Stone
solid



477 Electric
Silver metallic



612 Passion
Red solid



614 Ice White
solid



621 Amazon Blue
metallic



702 Flamenco
Red pearl metallic



707 Crystal
White pearl metallic



708 Raw
Copper metallic



711 Bright
Silver metallic



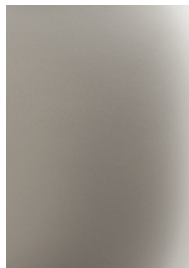
712 Rich Java
metallic



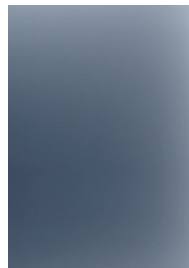
714 Osmium Grey
metallic



717 Onyx Black
metallic



719 Luminous Sand
metallic



721 Mussel Blue
metallic



723 Denim Blue
metallic

Please note: It is not possible to reproduce exact original shades in printed matter. Please ask your dealer to show you samples.

CLEAN COLOURS. To reduce usage of environmentally hazardous solvents all Volvo exterior colours are water-based. What is more, our painting facilities are among the cleanest in the world.





EXTERIOR DESIGN. Aluminium wheels



16" Genam, black diamond cut



17" Keid, silver



18" Metallah, tech matt black diamond cut



19" Damara, grey diamond cut





IN FINE DETAIL. The nuts and bolts of your Volvo V40 Cross Country. Whatever you need to know about your new car – be it fuel consumption, CO₂ emissions, top speed or boot space – you will find it here.

ENGINE	Cross Country T4		Cross Country T5	Cross Country D3	Cross Country D4
	Manual	Geartronic	Geartronic AWD	Geartronic	Geartronic
Configuration	Transverse – 16 valve		Transverse – 16 valve	Transverse – 16 valve	Transverse – 16 valve
Cylinders	4		4	4	4
Engine capacity, cc	1969		1969	1969	1969
Bore x stroke, mm	82 x 93.2		82 x 93.2	82 x 93.2	82 x 93.2
Max. output ECE,	kW	140	180	110	140
	rpm	4700	5500	3750	4250
Max. torque ECE,	Nm	300	350	320	400
	rpm	1300-4000	1500-4800	1750-3000	1750-2500
Octane rating	95 RON unleaded		95 RON unleaded	50ppm Diesel	50ppm Diesel
Fuel system	Direct fuel injection		Direct fuel injection	Common rail direct injection	Common rail direct injection
Compression ratio	11.3:1		10.8:1	16.0:1	15.8:1

PERFORMANCE	Cross Country T4		Cross Country T5	Cross Country D3	Cross Country D4
	Manual	Geartronic	Geartronic AWD	Geartronic	Geartronic
Top speed km/h	210		210	210	210
Acceleration 0-100 km/h sec	7.1		6.1	8.5	7.5
Drag coefficient	0.32		0.32	0.32	0.32

FUEL CONSUMPTION (i) (ii)	Cross Country T4		Cross Country T5	Cross Country D3	Cross Country D4	
	Manual	Geartronic	Geartronic AWD	Geartronic	Geartronic	
Urban	ℓ/100 km	7.1	7.2	8.5	4.6	5.0
Extra Urban	ℓ/100 km	4.6	4.7	5.2	3.7	3.9
Combined	ℓ/100 km	5.5	5.6	6.4	4.0	4.3
CO ₂ g/km		128	129	149	105	112
Fuel tank capacity	(litres)	62		57	62	62

WEIGHT	Cross Country T4		Cross Country T5	Cross Country D3	Cross Country D4
	Manual	Geartronic	Geartronic AWD	Geartronic	Geartronic
Min. kerb weight, kg (actual kerb weight dependent on spec.)	1428	1439	1509	1450	1481
Max. possible towing weight braked, kg	1500	1500	1500	1500	1500
Max. towing weight unbraked, kg (iii)	700	700	750	700	700
Max. total weight, kg	1970	1980	2055	1995	2020
Max. roof load, kg	75		75	75	75

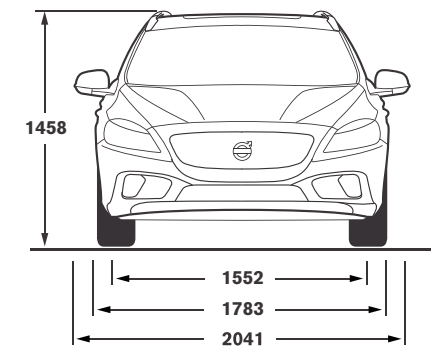
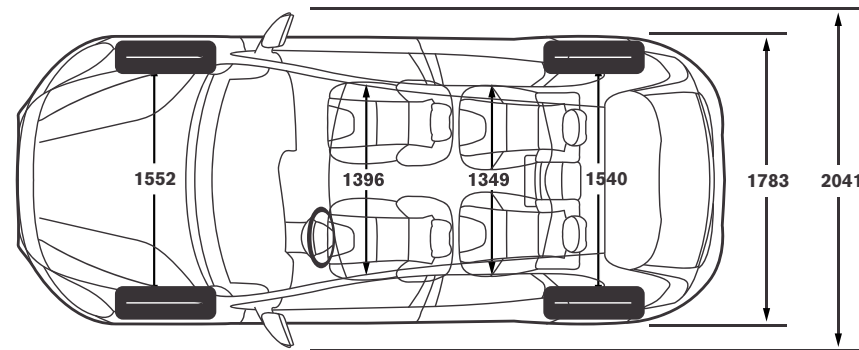
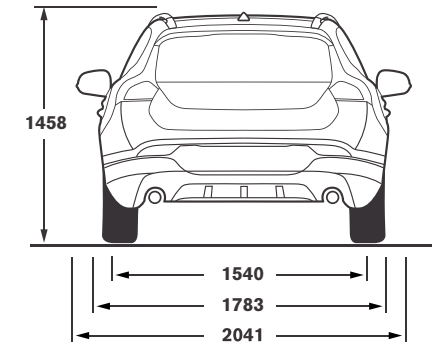
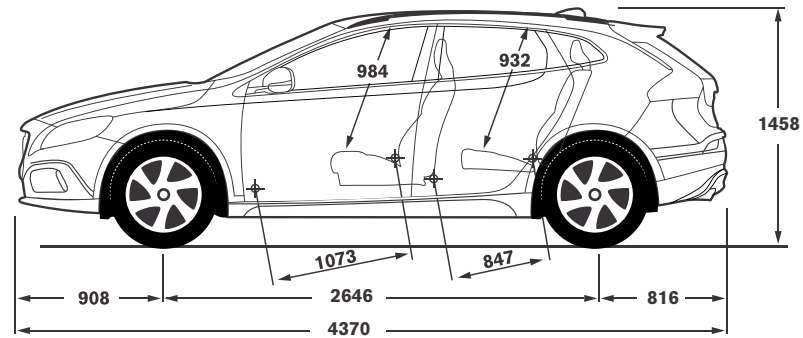
POWER STEERING SYSTEM	V40 CC T4	V40 CC D3, D4, T5
Turning circle, m (rack and pinion)	10.9	11.3

LUGGAGE COMPARTMENT Volume measured in litres	V40 CC
Rear seats up, luggage area	324

TRANSMISSION	V40 CC
Manual (T4)	6 speed
Geartronic (T4, D3)	6 speed
Geartronic (D4)	8 speed
Geartronic (T5 AWD)	8 speed

BRAKES	V40 CC T4	V40 CC D3, D4, T5
Front disc diameter, mm	300	320
Rear disc diameter, mm	280	280

GROUND CLEARANCE	V40 CC
At kerb weight (mm)	144



- (i) The results do not express or imply any guarantee of the fuel consumption of a particular car as there are inevitable differences between individual cars of the same model.
Additionally, driving style, traffic conditions, as well as the age and mileage and standard of maintenance will affect a car's fuel consumption.
- (ii) The Urban fuel consumption figure is based on typical city driving, including starting the car from cold. The Extra Urban figure is based on typical motorway driving and cruising.
The Combined figure averages the consumption across both cycles.
- (iii) Unbraked towing weight must not exceed 50% of kerb weight up to a maximum of approximately 750 kg.

A weighbridge must be used to determine specific weights.

All measurements in mm.

NB Some of the information in this brochure may not be correct due to product changes which may have occurred since it was printed. Some of the equipment described or shown may now be available only at extra cost. Before ordering, please ask your Volvo dealer for the latest information. The manufacturer reserves the right to make changes at any time, without notice, to colour, materials, specifications and models.

Volvo Car South Africa.

Notes

The weight of the vehicle will influence the level of CO₂ emitted. As a result, vehicles with higher levels of specification and factory fit options may emit higher levels of CO₂.



Tracker Connect

On 1 January 2014, Tracker Connect became Volvo's new roadside assistance partner.

Tracker Connect has been South Africa's leading vehicle tracking company since the 1990s. While vehicle tracking and Stolen Vehicle Recovery (SVR) remains the company's core business, the Tracker of today has evolved into a highly sophisticated technological company offering leading-edge fleet management and telematics solutions to both individuals and organisations throughout Southern Africa.

Services include:

- Medical emergency assistance
- Fuel assistance
- Recovery towing
- Emergency transportation
- "Stand by you" roadside security
- Free mobile app
- Web access to conveniently position your vehicle or draw reports which can be used to log and submit business or private usage to SARS.
- Flat tyre assistance
- Battery service
- Overnight accommodation
- Accident towing
- Repatriation
- In-car Volvo Assist button
- Impact detection
- Mileage monitoring
- Volvo Car South Africa branded smartphone app

Furthermore, the option to include Proactive Stolen Vehicle Recovery for as little as R215* per month is also available. This option also includes access to value added services such as Care, Legal Assist and Theft Rescue.

* Reviewed and adjusted annually.

The number to call is 0800 MYVOLVO (698 6586)

Volvo Car Financial Services

A division of 

Volvo Car Financial Services

Volvo Car Financial Services has flexible financing options that enable you to structure your deal according to your specific requirements.

We want your experience of buying and owning a Volvo to be enjoyable and hassle-free. That is why we have developed the following online service tools:

- Online finance application – apply for finance any time of day or night and get an instant answer.
- Calculators – calculate your monthly repayments or calculate the value of a vehicle that you could buy based on a specified monthly repayment.
- Account services – manage your account in a secure and user-friendly online environment in real time.

So, remember to insist on Volvo Car Financial Services at your dealer or simply visit **www.volvocars.com/za** for more information.

V O L V O

All models standard with a 5 year / 100 000km Volvo Plan.

NB Some of the information in this brochure may not be correct due to product changes which may have occurred since it was printed. Before ordering, please ask your Volvo dealer for the latest information. The manufacturer reserves the right to make changes at any time, without notice, to colour, materials, specifications and models.

VOLVOCARS.COM/ZA