



THE
VOLVO XC60

XC60 MOMENTUM

The Momentum variant comes with a high level of standard features including: Active Bending bi-xenon headlights, high performance sound with Bluetooth® and a 7" colour display screen, rear park assist, rain sensor, grocery bag holder, digital combined instrument cluster with TFT crystal display, a power adjustable driver seat with memory function and electric lumbar support – all designed to complement the existing high level of specification whichever engine variant you choose.

Variants:	Diesel	Petrol
	D4 Geartronic FWD	T5 Geartronic FWD
	D5 Geartronic AWD	T5 Geartronic AWD
		T6 Geartronic AWD

XC60 INSCRIPTION

The Inscription variant is the ultimate upgrade. Over and above the Momentum variant, the Inscription variant adds a combination of power adjustable passenger seat, a 3-spoke leather steering wheel with décor inlays, a high version interior lighting package and a power operated tailgate.

Variants:	Diesel	Petrol
	D4 Geartronic FWD	T5 Geartronic FWD
	D5 Geartronic AWD	T5 Geartronic AWD
		T6 Geartronic AWD

XC60 *R-DESIGN*

The R-DESIGN variant radiates a truly sporty look. New 18" Ixion III matt black diamond cut alloy wheels together with the R-DESIGN sport chassis enhance the handling of this model. Visual presence is complemented with matt silver door mirrors, unique exhaust tips, R-DESIGN leather sport seats with side support, R-DESIGN leather steering wheel and unique aluminium interior trim.

Variants:	Diesel	Petrol
	D4 Geartronic FWD	T5 Geartronic FWD
	D5 Geartronic AWD	T5 Geartronic AWD
		T6 Geartronic AWD





THE RIGHT EQUIPMENT. It is essential that your Volvo comes equipped with everything you need. Below you will find standard equipment for each model variant, plus optional equipment to personalise your Volvo XC60. And as you would expect, there is an array of industry-leading, cutting edge safety innovations.

STANDARD EQUIPMENT - SAFETY AND SECURITY	Momentum	Inscription	R DESIGN
City Safety	•	•	•
Stop / Start technology	•	•	•
Alarm with level sensor and immobiliser	•	•	•
IMS (Interior Movement Sensor)	•	•	•
Key integrated remote control, central locking	•	•	•
Home safe lights	•	•	•
Power child lock, rear doors	•	•	•
Two step opening	•	•	•
Inner "pop-up" lock knobs in all doors	•	•	•
Laminated windows all round (includes WRG on front door windows)	•	•	•
Trip computer	•	•	•
Cruise control	•	•	•
Hill Descent Control (T5 AWD, D5 AWD, T6 AWD)	•	•	•
Hill Start Assist	•	•	•
Height / length adjustable steering wheel	•	•	•
Rain sensor	•	•	•
ITPMS (Indirect Tyre Pressure Monitoring System)	•	•	•
Two step airbag, driver / passenger side	•	•	•
Passenger airbag	•	•	•
SIPS airbags	•	•	•
Inflatable curtains	•	•	•
Whiplash protection, front seats	•	•	•
Seat belt reminder, front seats	•	•	•
Pyrotechnical pre-tensioners, front / rear positions	•	•	•
Passenger airbag cut-off switch	•	•	•
Isofix - outer positions, rear seat	•	•	•
EBA (Emergency Brake Assist)	•	•	•
Emergency brake light, flashing	•	•	•
High positioned rear brake light	•	•	•
IDIS (Intelligent Driver Information System)	•	•	•
ESC (Electronic Stability Control)	•	•	•
RSC (Roll Stability Control)	•	•	•
ABS (Antilock Brake System)	•	•	•
Front brake discs - 17"	•	•	•
Rear brake discs, ventilated	•	•	•
Electrical parking brake	•	•	•
Drive away release, parking brake	•	•	•

STANDARD EQUIPMENT - EXTERIOR	Momentum	Inscription	RDESIGN
Power windows, all doors	•	•	•
Bright roof rails	•	•	•
Chrome decor side windows, lower	•	•	n/a
Standard XC60 grille	•	•	n/a
Active Bending bi-xenon headlights	•	•	•
Headlight washers, low flow	•	•	•
LED DRL (Daytime Running Lights)	•	•	•
Side positioning lights	•	•	•
Standard door moulding, lower	•	n/a	•
Chromed lower door moulding	n/a	•	n/a
Tread plates, standard XC60	•	•	n/a
Chromed strip tailgate	•	•	n/a
Standard bumper	•	•	n/a
Rear fog light, auto-off	•	•	•
Skid plate mould in colour	•	•	n/a
Park assist - rear	•	•	•
Dual integrated exhaust tail pipes	•	•	n/a
Dynamic chassis	•	•	n/a
Sport chassis	o	o	•
17" Valder silver wheels (standard on D4 and T5)	•	•	n/a
18" Leda light grey diamond cut wheels (standard on D5 and T6)	•	•	n/a
RDESIGN Bright décor side windows, lower			•
RDESIGN Grille			•
RDESIGN Silver side mirrors			•
RDESIGN Tread plates			•
RDESIGN Chromed strip tailgate			•
RDESIGN Skid plate			•
RDESIGN Dual exhaust tail pipes			•
RDESIGN 18" Ixion III matt black, diamond cut wheels			•

STANDARD EQUIPMENT - INTERIOR	Momentum	Inscription	RDESIGN
AQS (Air Quality System)	•	•	•
CZIP (CleanZone Interior Package)	•	•	•
ECC (Electronic Climate Control)	•	•	•
Laminated front windscreen	•	•	•
Electrically heated rear window	•	•	•
Digital combined instrument cluster with 8" TFT crystal display	•	•	•
Standard leather comfort seats	•	•	n/a





STANDARD EQUIPMENT – INTERIOR Continued

	Momentum	Inscription	REDESIGN
Power driver seat with memory for seat and exterior mirrors	•	•	•
Mechanically adjustable passenger seat, 6-way	•	n/a	•
Power passenger seat	o	•	o
Electric lumbar support	•	•	•
Manually foldable rear headrests	•	•	•
Milled brushed aluminium décor	•	•	n/a
High performance sound / AUX / USB / Bluetooth® connectivity	•	•	•
Connected Service Booking	•	•	•
Single DVD, 7" colour display screen	•	•	•
USB and iPod function	•	•	•
Audio controls in steering wheel	•	•	•
Voice control, advanced	•	•	•
Bluetooth® handsfree with audio streaming	•	•	•
Leather steering wheel, 3-spoke	•	n/a	n/a
Leather steering wheel with décor inlay, 3-spoke	o	•	n/a
Leather gear knob	•	•	n/a
Gear lever illumination	•	•	•
Uni décor, mannekin, air vents, CCM knobs	•	•	•
Automatically dimmed interior mirror	•	•	•
Illuminated vanity mirrors, driver and passenger side	•	•	•
Interior lighting - mid version	•	n/a	•
Interior lighting - high version	o	•	o
Ashtray, front / rear and front cigarette lighter	•	•	•
Rear armrest with cup holders and storage	•	•	•
Textile floor mats (4 piece)	•	•	n/a
Front cup holders in tunnel console	•	•	•
Storage in front doors	•	•	•
Storage in front of the centre console	•	•	•
Front armrest	•	•	•
Parking ticket holder	•	•	•
Standard armrest, tunnel console	•	•	•
Heated and electrically adjustable outer mirrors	•	•	•
Retractable side mirrors	•	•	•
Puddle lights	•	•	•
Colour matched rearview mirrors	•	•	n/a
Bright metal sill, 5-door	•	•	•
Power operated tailgate	o	•	o
Load cover, soft	•	•	•
Load protection net, soft - one piece	•	•	•
Grocery bag holder, cargo area	•	•	o

STANDARD EQUIPMENT - INTERIOR Continued	Momentum	Inscription	RDESIGN
12V power outlet, cargo area	•	•	•
Warning triangle	•	•	•
Temporary spare wheel - T125/80R17	•	•	•
Jack kit	•	•	•
RDESIGN Sport leather seats, perforated			•
RDESIGN Sport décor inlay			•
RDESIGN Sport steering wheel			•
RDESIGN Gear lever knob			•
RDESIGN Textile floor mats, (4 piece)			•
RDESIGN Sport pedals			•

* OPTIONAL EQUIPMENT - SAFETY AND SECURITY	Price incl. 14% VAT	Momentum	Inscription	RDESIGN
PCC (Personal Car Communicator) with Keyless Drive	R5,650.00	o	o	o
ACC (Adaptive Cruise Control) including collision warning with auto brake, pedestrian and cyclist detection with queue assist (i) (iii)	R19,000.00	o	o	o
LDW (Lane Departure Warning) with DAC (Driver Alert Control) and front facing camera (i)	R9,750.00	o	o	o
BLIS (Blind Spot Information System) and CTA (Cross Traffic Alert)	R8,250.00	o	o	o
Park assist camera, rear	R9,300.00	o	o	o
Park assist - front and rear	R2,850.00	o	o	o
Automatic levelling system (Nivomat)	R7,850.00	o	o	n/a
Four-C chassis (iv)	R13,950.00	o	o	n/a
Speed sensitive power steering	R2,750.00	o	o	o
Navigation system with RTTI and TMC	R10,500.00	o	o	o
First-aid kit	R315.00	o	o	o
Sport chassis	R5,100.00	o	o	•

* OPTIONAL EQUIPMENT - INTERIOR	Price incl. 14% VAT	Momentum	Inscription	RDESIGN
Humidity sensor	R1,275.00	o	o	o
Infrared reflective windscreen	R4,950.00	o	o	o
Heated steering wheel	R2,500.00	o	o	o
Sport leather seats	R6,000.00	o	o	n/a
Quick foldable backrest, passenger seat	R375.00	o	o	n/a
Power passenger seat	R4,500.00	o	•	o
Heated front seats	R1,850.00	o	o	o
Heated rear seat (ii)	R1,850.00	o	o	o
Electric folding rear headrests	R900.00	o	o	o
Integrated 2-stage booster cushions, outer positions	R2,800.00	o	o	o
Urbane wood décor inlay	R4,350.00	o	o	n/a
Piano black décor inlay	R2,250.00	o	o	n/a
Modern wood décor inlay	R4,350.00	o	o	n/a
Urbane wood steering wheel	R2,200.00	o	o	n/a






* OPTIONAL EQUIPMENT - INTERIOR Continued	Price incl. 14% VAT	Momentum	Inscription	ROESIGN
Gearshift paddles	R1,850.00	o	o	o
Grocery bag holder	R800.00	●	●	o
Leather steering wheel with décor inlay, 3-spoke	R850.00	o	●	n/a
Interior lighting - high version	R850.00	o	●	o
Automatically dimmed interior mirror + compass	R1,275.00	o	o	o
Automatic dimming interior and outer mirrors	R1,750.00	o	o	o
Textile floor mats black (4 piece) for beige interiors	no cost	o	o	n/a
Sunglasses holder	R315.00	o	o	o
Premium sound by Harman Kardon / AUX / USB / Bluetooth®	R15,600.00	o	o	o
Subwoofer (vi)	R4,950.00	o	o	o
Remote control (multimedia and navigation)	R1,200.00	o	o	o
Power operated tailgate	R5,500.00	o	●	o




* OPTIONAL EQUIPMENT - EXTERIOR	Price incl. 14% VAT	Momentum	Inscription	ROESIGN
Metallic paint	R2,350.00	o	o	o
Panoramic sunroof	R11,500.00	o	o	o
Heated windscreen	R3,650.00	o	o	o
Heated windscreen washer ballpoint nozzles	R800.00	o	o	o
Tinted windows, rear side doors and cargo area	R3,250.00	o	o	o
17" Valder silver wheels (standard on D4 and T5)	no cost	o	o	n/a
18" Tucan silver wheels (no cost on D5 and T6)	R7,500.00	o	o	n/a
18" Leda light grey diamond cut wheels (standard on D5 and T6)	R7,500.00	o	o	n/a
18" Leda glossy black diamond cut wheels (no cost on D5 and T6)	R7,500.00	o	o	n/a
19" Lesath tech matt black diamond cut wheels	R7,500.00	o	o	n/a
20" Avior wheels	R11,750.00	o	o	n/a
20" Titania diamond cut wheels	R11,750.00	o	o	n/a
20" Altais dark grey diamond cut wheels	R11,750.00	o	o	n/a
20" Ixion IV matt black diamond cut wheels	R11,750.00	n/a	n/a	o
Lockable wheel nuts	R800.00	o	o	o

● = standard; o = option; n/a = not available * Fitted at factory

- (i) Cannot be ordered in conjunction with IR (Infrared) reflective glass windscreen.
- (ii) Heated rear seat must be combined with heated front seats.
- (iii) Must be ordered in combination with LDW (Lane Departure Warning) system.
- (iv) Active Four-C Chassis cannot be combined with Load Compensating Suspension.
- (v) Only in combination with AQS (Air Quality System).
- (vi) Not available on T6.

Prices are inclusive of 14% VAT	Momentum	Inscription	
SPORT PACK MOMENTUM - D4, T5	R 24,500.00	n/a	n/a
Heated front seats	o		
Power operated tailgate	o		
Lockable wheel bolts	o		
PCC with Keyless Drive	o		
Park assist - front and rear	o		
Rear parking camera	o		
3-Spoke leather steering wheel with décor inlay	o		
Interior lighting - high version	o		
18" Leda grey diamond cut wheels (Swop for Tucan, Lesath, Valder, Leda black)	o		
SPORT PACK MOMENTUM - D5, T6	R 20,000.00	n/a	n/a
Heated front seats	o		
Power operated tailgate	o		
Lockable wheel bolts	o		
PCC with Keyless Drive	o		
Park assist - front and rear	o		
Rear parking camera	o		
3-Spoke leather steering wheel with décor inlay	o		
Gearshift paddles	o		
SPORT PACK INSCRIPTION - D4, T5	n/a	R 19,500.00	n/a
Heated front seats	o		
Lockable wheel bolts	o		
PCC with Keyless Drive	o		
Park assist - front and rear	o		
Rear parking camera	o		
18" Leda grey diamond cut wheels (Swop for Tucan, Lesath, Valder, Leda black)	o		
SPORT PACK INSCRIPTION - D5, T6	n/a	R 15,500.00	n/a
Heated front seats	o		
Lockable wheel bolts	o		
PCC with Keyless Drive	o		
Park assist - front and rear	o		
Rear parking camera	o		
Gearshift paddles	o		
TECHNO PACK MOMENTUM	R 27,500.00	n/a	n/a
Heated front seats	o		
Power operated tailgate	o		
Navigation system with RTTI and TMC	o		
PCC with Keyless Drive	o		
Park assist - front and rear	o		
Rear parking camera	o		
3-Spoke leather steering wheel with décor inlay	o		
TECHNO PACK INSCRIPTION	n/a	R 23,000.00	n/a
Heated front seats	o		
Navigation system with RTTI and TMC	o		
PCC with Keyless Drive	o		
Park assist - front and rear	o		
Rear parking camera	o		

o = option; n/a = not available

Prices are inclusive of 14% VAT	Momentum	Inscription	
PREMIUM PACK MOMENTUM	R 31,500.00	n/a	n/a
Heated front seats	o		
Power operated tailgate	o		
Navigation system with RTTI and TMC	o		
PCC with Keyless Drive	o		
Park assist - front and rear	o		
Rear parking camera	o		
3-Spoke leather steering wheel with decor inlay	o		
Premium sound multimedia and connectivity, AUX, USB, Bluetooth® and 12 x loud speakers (Harman Kardon)	o		
PREMIUM PACK INSCRIPTION	n/a	R 27,000.00	n/a
Heated front seats	o		
Navigation system with RTTI and TMC	o		
PCC with Keyless Drive	o		
Park assist - front and rear	o		
Rear parking camera	o		
Premium sound multimedia and connectivity, AUX, USB, Bluetooth® and 12 x loud speakers (Harman Kardon)	o		
 PLUS	n/a	n/a	R 32,500.00
Power passenger seat	o		
Heated front seats	o		
Power operated tailgate	o		
Lockable wheel bolts	o		
Load holder, trunk (grocery bag holder)	o		
PCC with Keyless Drive	o		
Park assist - front and rear	o		
Rear parking camera	o		
Gearshift paddles	o		
Interior lighting - high version	o		
20" Ixion IV black diamond cut wheels (Swop for 18" Ixion III black diamond cut wheels)	o		
 PREMIUM PLUS	n/a	n/a	R 45,000.00
Power passenger seat	o		
Heated front seats	o		
Power operated tailgate	o		
Navigation system with RTTI and TMC	o		
Lockable wheel bolts	o		
Load holder, trunk (grocery bag holder)	o		
PCC with Keyless Drive	o		
Park assist - front and rear	o		
Rear parking camera	o		
Gearshift paddles	o		
Interior lighting - high version	o		
Premium sound multimedia and connectivity, AUX, USB, Bluetooth® and 12 x loud speakers (Harman Kardon)	o		
20" Ixion IV black diamond cut wheels (Swop for 18" Ixion III black diamond cut wheels)	o		
DRIVER SUPPORT PACK	R 28,500.00	R 28,500.00	R 28,500.00
Auto dimming interior and outer mirrors	o	o	o
BLIS (Blind Spot Information System)	o	o	o
LDW (Lane Departure Warning) with DAC (Driver Alert Control) and front facing camera	o	o	o
ACC (Adaptive Cruise Control) including collision warning with auto brake, pedestrian and cyclist detection with queue assist	o	o	o





“Sensus is our way of enabling you to communicate instinctively with your car, and keep you connected with your digital world.”

YOU'RE IN CONTROL, NATURALLY.

SENSUS

We have designed a gorgeous space around the driver. All of our instruments and controls are intuitive and easy to use. We call this approach of connecting you and your car with the world around you, “Sensus”.

You can also choose between three unique instrument cluster modes to customize your driving experience even further.

The Sensus screen is a multimedia hub, giving you immediate connectivity to information and entertainment at your fingertips.



City Safety functions at speeds up to 50 km/h. This system can help prevent a collision if the difference in speed between your vehicle and the vehicle ahead is less than 15 km/h.

We've further improved our optional Blind Spot Information System (BLIS). It now uses radar technology to alert you to vehicles closing up in your blind spot. There's also Cross Traffic Alert, which watches out for vehicles you can't see when you're reversing out of tight parking spaces.

Because we care about other road-users just as much as you, Pedestrian and Cyclist Detection with Full Auto-Brake watches out for pedestrians and cyclists in your path and applies the brakes if you're unable to react in time.

“Relax and let your Volvo do the hard work for you.”

“Our Drive-E powertrains give you an exhilarating driving experience with smooth, instant response and a reduced environmental impact.”

COMMITTED TO SAFETY.

SUSTAINABLE DRIVING IS EXCITING.

INTELLISAFE

Since the birth of Volvo Cars in 1927, keeping you safe has been part of our DNA. We have pioneered safety advances and invented life-saving technologies, such as the three-point safety belt. We have also equipped all of our cars with safety cages and laminated windscreens since 1944. In 1976, we developed the catalytic converter and the lambda sond, a sensor that monitors exhaust gas, reducing emissions and boosting performance as well as economy.

Today, we are building cars that actively scan the area around you, looking out for the unexpected. Volvo pioneered City Safety, a low-speed collision avoidance technology that helps prevent collisions at speeds up to 50 km/h. We were the world's first car manufacturer to include this feature as standard equipment in all new models.

We also developed Pedestrian Detection, a system that detects pedestrians and brakes

the car when necessary, and we will not stop there.

Tracker Connect provides access to roadside assistance and emergency support at the touch of a button. Also included is automatic collision alert, which notifies a trained operator to contact the vehicle and send emergency service as soon as a collision is detected. In the future, our aim is to design cars that will prevent collisions with other road users altogether.

DRIVE-E

At the heart of every Volvo car is our approach to sustainable driving and innovative thinking. We offer a range of technologies that give you greater efficiency and lower running costs.

Our Drive-E powertrains combine the low fuel consumption and emissions of a four cylinder engine with the performance of a six or eight cylinder engine. The result is a smooth, powerful ride, with fewer stops at the pumps. We also offer an interior Air Quality System that checks incoming air for pollutants and closes the vents when necessary – we call this CleanZone. An active carbon filter helps

protect you from harmful gases and unpleasant odors, so you can breathe happy and healthy.

At Volvo Cars, we always strive to make our manufacturing process sustainable. All of the electricity for our factories in Sweden and Belgium comes from clean hydro-electric or wind power. Environmentally-aware mobility is central to our philosophy of intelligent, thoughtful luxury.



RDESIGN



**Dynamically expressive. Flawlessly synchronised. Beautifully balanced.
And that is just the sports chassis.**

With the Volvo XC60 R-DESIGN variant, the well-equipped Volvo XC60 acquires even more confidence, inside and out. Boldly provocative yet tastefully reserved, the exclusive R-DESIGN styling elements express a definitive passion for sport. From the R-DESIGN grille to the 90 mm tailpipes, the Volvo XC60 R-DESIGN exudes confidence at every turn. Yet, it is in the turns where the sports chassis really compliments the swift agility and sweeping artistry of this bold SUV.



Sports tailpipes

From behind, the dual 90 mm tailpipes give the XC60 R-DESIGN a powerful, no-nonsense demeanour.

Sports chassis

Perceptibly yet subtly different, the shocks, springs and anti-roll bars are adjusted and tuned to be firmer and more balanced. The result is improved control and a sportier, road hugging drive.

Sports steering wheel

Get to grips with this exclusive leather 3-spoke sports steering wheel with R-DESIGN logo.

Sports gear knob

An illuminated gear knob with perforated leather, gives a performance ready look and feel.

Sports pedals

Racetrack inspired to enhance the driving experience, enjoy the feel of these ridged sports pedals.

Sports floor mats

These black, ribbed and richly tufted sports floor mats set the stage, front and back.

COLOUR YOUR VOLVO. When it comes to the appearance of your Volvo, the choice of exterior colour and wheels are probably your most important design decisions. For more exterior styling options and to build your new Volvo online, please visit www.volvocars.com/za



019 Black Stone solid



467 Magic Blue metallic



477 Electric Silver metallic (i)



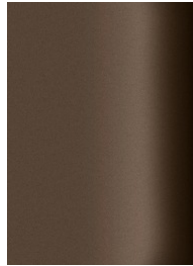
492 Savile Grey metallic (i)



612 Passion Red solid (ii)



614 Ice White solid (i)



700 Twilight Bronze metallic



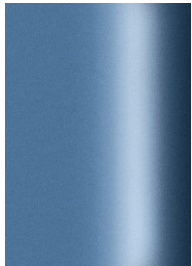
707 Crystal White pearl metallic (i)



711 Bright Silver metallic



712 Rich Java metallic (i)



713 Power Blue metallic (i)



714 Osmium Grey metallic (i)



717 Onyx Black metallic (i)



719 Luminous Sand metallic



720 Bursting Blue metallic (ii)



721 Mussel Blue metallic

(i) Also available for *REDESIGN* (ii) *REDESIGN* only

Please note: It is not possible to reproduce exact original shades in printed matter. Please ask your dealer to show you samples.

CLEAN COLOURS. To reduce usage of environmentally hazardous solvents all Volvo exterior colours are water-based. What is more, our painting facilities are among the cleanest in the world.





EXTERIOR DESIGN. Aluminium wheels



17" Valder, silver



18" Tucan, silver



18" Leda, light grey diamond cut



18" Leda, glossy black diamond cut



18" Ixion III, matt black diamond cut (REDESIGN only)



19" Lesath, tech matt black diamond cut



20" Altais, dark grey diamond cut



20" Avior, silver



20" Titania, diamond cut



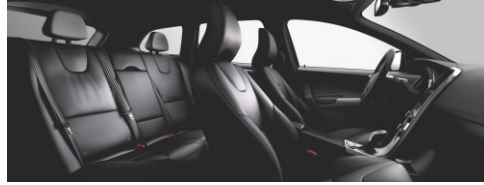
20" Ixion IV, matt black diamond cut (REDESIGN only)

BESPOKE TAILORING FROM VOLVO. The finest fabrics, superb stitching and exacting attention to detail – whichever interior you choose for your Volvo XC60, you will be surrounded by luxury. How will you tailor yours?

NB It is not possible to reproduce exact original shades in printed matter.



G701



G761



G70B



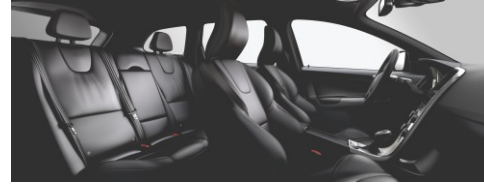
G71T



G301



G36B



G361



G31T



G30B



GT60 (R-DESIGN)

Code	Description	Interior colour	Upholstery colour	Dashboard top	Door panel, lower dashboard, & upper tunnel console	Carpet & lower tunnel console	Door panel insert colour	Headliner colour
Standard leather								
G701	Off Black	Anthracite Black	Off Black	Off Black	Off Black	Off Black	Off Black	Quartz
G70B	Soft Beige	Anthracite Black	Soft Beige	Off Black	Off Black	Off Black	Soft Beige	Soft Beige
G761	Off Black	Anthracite Black	Off Black	Off Black	Off Black	Off Black	Off Black	Charcoal
G71T	Soft Beige	Sandstone Beige	Soft Beige	Off Black	Soft Beige	Soft Beige	Soft Beige	Soft Beige
Sport leather								
G301	Off Black	Anthracite Black	Off Black	Off Black	Off Black	Off Black	Off Black	Quartz
G361	Off Black	Anthracite Black	Off Black	Off Black	Off Black	Off Black	Off Black	Charcoal
G30B	Soft Beige	Anthracite Black	Soft Beige	Off Black	Off black	Off black	Soft Beige	Soft Beige
G36B	Soft Beige	Anthracite Black	Soft Beige	Off Black	Off Black	Off Black	Soft Beige	Charcoal
G31T	Soft Beige	Sandstone Beige	Soft Beige	Off black	Soft Beige	Soft Beige	Soft Beige	Soft Beige
R-Design Sport leather								
GT60	Off Black	Off Black	Off Black	Off Black	Off Black	Off Black	Off Black	Charcoal







INTERIOR DETAILS. A selection of premium materials to complement your interior upholstery.



Leather steering wheel, Off black



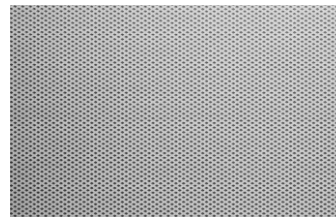
Leather steering wheel, Off black with silk metal inlay



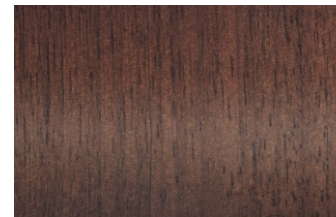
Leather steering wheel, with Urbane wood inlay



Piano black gear knob



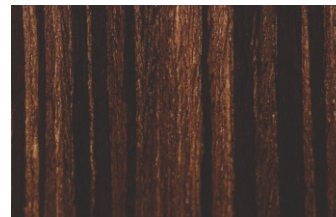
Milled brushed aluminium inlay



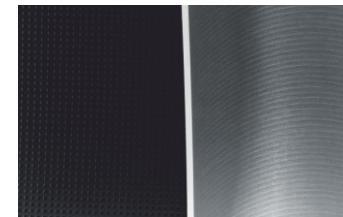
Modern wood inlay



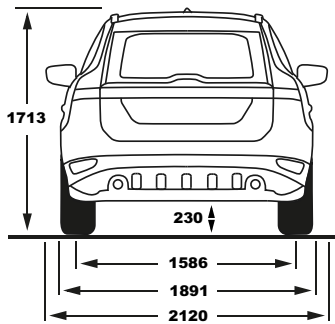
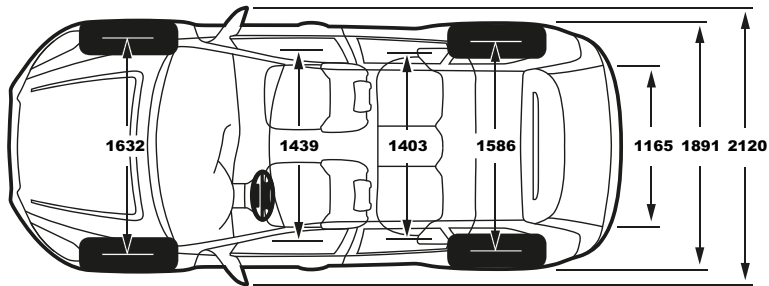
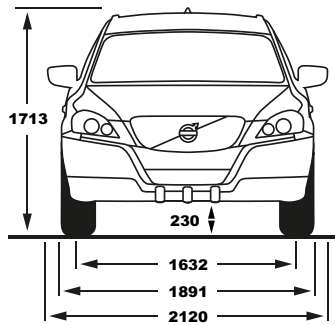
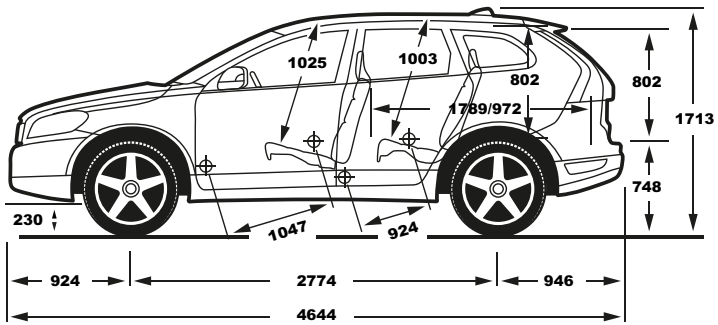
Piano black inlay



Urbane wood inlay



REDESIGN inlay



- (i) The results do not express or imply any guarantee of the fuel consumption of a particular car as there are inevitable differences between individual cars of the same model.
Additionally, driving style, traffic conditions, as well as the age and mileage and standard of maintenance will affect a car's fuel consumption.
- (ii) The Urban fuel consumption figure is based on typical city driving, including starting the car from cold. The Extra Urban figure is based on typical motorway driving and cruising.
The Combined figure averages the consumption across both cycles.
- (iii) Unbraked towing weight must not exceed 50% of kerb weight up to a maximum of approximately 750 kg.

Notes

The weight of the vehicle will influence the level of CO₂ emitted. As a result, vehicles with higher levels of specification and factory fit options may emit higher levels of CO₂.

A weighbridge must be used to determine specific weights.

All measurements in mm.

NB Some of the information in this brochure may not be correct due to product changes which may have occurred since it was printed. Some of the equipment described or shown may now be available only at extra cost. Before ordering, please ask your Volvo dealer for the latest information. The manufacturer reserves the right to make changes at any time, without notice, colour, materials, specifications and models.

Volvo Car South Africa.





IN FINE DETAIL. The nuts and bolts of your Volvo XC60. Whatever you need to know about your new car – be it fuel consumption, CO₂ emissions, top speed or boot space – you will find it here.

ENGINE	T5 Geartronic FWD	D4 Geartronic FWD	T5 Geartronic AWD	D5 Geartronic AWD	T6 Geartronic AWD
Configuration	Transverse – 16 valve	Transverse – 16 valve	Transverse – 16 valve	Transverse – 20 valve	Transverse – 16 valve
Cylinders	4	4	4	5	4
Engine capacity, cc	1969	1969	1969	2400	1969
Bore x stroke, mm	82 x 93.2	81 x 77	82 x 93.2	81 x 93.15	82 x 93.2
Max. output ECE, kW rpm	180 5500	140 4250	180 5500	162 4000	225 5700
Max. torque ECE, Nm rpm	350 1500-4800	400 1750-2500	350 1500-4800	440 1500-3000	400 2100-4800
Octane rating	95 RON unleaded	50ppm Diesel	95 RON unleaded	50ppm Diesel	95 RON unleaded
Fuel system	Direct fuel injection	Common rail direct injection	Direct fuel injection	Common rail direct injection	Direct fuel injection
Compression ratio	10.8:1	15.8:1	10.8:1	16.5:1	10.3:1

PERFORMANCE	T5 Geartronic FWD	D4 Geartronic FWD	T5 Geartronic AWD	D5 Geartronic AWD	T6 Geartronic AWD
Top speed km/h	210	210	210	210	210
Acceleration 0-100 km/h sec	7.2	8.1	7.2	8.2	6.9
Drag coefficient	0.35	0.35	0.35	0.35	0.35

FUEL CONSUMPTION ⁽ⁱ⁾ ⁽ⁱⁱ⁾	T5 Geartronic FWD	D4 Geartronic FWD	T5 Geartronic AWD	D5 Geartronic AWD	T6 Geartronic AWD
Urban ℓ / 100 km	8.9	5.3	9.9	8.5	9.9
Extra Urban ℓ / 100 km	5.5	4.4	6.1	5.3	6.4
Combined ℓ / 100 km	6.7	4.7	7.5	5.7	7.7
CO ₂ g/km	157	124	175	149	179
Fuel tank capacity (litres)	70	70	70	70	70



POWER STEERING SYSTEM	ALL MODELS
Turning circle, m (rack and pinion)	11.7

LUGGAGE COMPARTMENT	ALL MODELS
Volume, litres	490
Volume, rear seats down, litres	705

TRANSMISSION	ALL MODELS
Geartronic AWD (D5)	6 speed
Geartronic FWD (D4, T5)	8 speed
Geartronic AWD (T5 and T6)	8 speed

BRAKES	ALL MODELS
Front disc diameter, mm	328
Rear disc diameter, mm	302

WEIGHT	T5 Geartronic FWD	D4 Geartronic FWD	T5 Geartronic AWD	D5 Geartronic AWD	T6 Geartronic AWD
Min. kerb weight, kg (actual kerb weight dependent on spec.)	1716	1734	1776	1801	1803
Max. possible towing weight braked, kg	1600	1800	1800	2000	2000
Max. towing weight unbraked, kg (iii)	750	750	750	750	750
Max. towball weight, kg	90	90	90	90	90
Max. total weight, kg	2505	2505	2505	2505	2505
Max. roof load, kg	100	100	100	100	100
Max. payload, kg (dependent on spec.)	789	771	729	704	702

GROUND CLEARANCE	ALL MODELS
Vehicle ground clearance, mm	230
with 2 persons, mm	220
Wading depth, mm	350
Approach angle	22°
Departure angle	27°
Breakover angle	22°



Tracker Connect

On 1 January 2014, Tracker Connect became Volvo's new roadside assistance partner.

Tracker Connect has been South Africa's leading vehicle tracking company since the 1990s. While vehicle tracking and Stolen Vehicle Recovery (SVR) remains the company's core business, the Tracker of today has evolved into a highly sophisticated technological company offering leading-edge fleet management and telematics solutions to both individuals and organisations throughout Southern Africa.

Services include:

- Medical emergency assistance
- Fuel assistance
- Recovery towing
- Emergency transportation
- "Stand by you" roadside security
- Free mobile app
- Web access to conveniently position your vehicle or draw reports which can be used to log and submit business or private usage to SARS.
- Flat tyre assistance
- Battery service
- Overnight accommodation
- Accident towing
- Repatriation
- In-car Volvo Assist button
- Impact detection
- Mileage monitoring
- Volvo Car South Africa branded smartphone app

Furthermore, the option to include Proactive Stolen Vehicle Recovery for as little as R215* per month is also available. This option also includes access to value added services such as Care, Legal Assist and Theft Rescue.

* Reviewed and adjusted annually.

The number to call is 0800 MYVOLVO (698 6586)

Volvo Car Financial Services

A division of 

Volvo Car Financial Services

Volvo Car Financial Services has flexible financing options that enable you to structure your deal according to your specific requirements.

We want your experience of buying and owning a Volvo to be enjoyable and hassle-free. That is why we have developed the following online service tools:

- Online finance application – apply for finance any time of day or night and get an instant answer.
- Calculators – calculate your monthly repayments or calculate the value of a vehicle that you could buy based on a specified monthly repayment.
- Account services – manage your account in a secure and user-friendly online environment in real time.

So, remember to insist on Volvo Car Financial Services at your dealer or simply visit **www.volvocars.com/za** for more information.

V O L V O

All models standard with a 5 year / 100 000km Volvo Plan.

NB Some of the information in this brochure may not be correct due to product changes which may have occurred since it was printed. Before ordering, please ask your Volvo dealer for the latest information. The manufacturer reserves the right to make changes at any time, without notice, to colour, materials, specifications and models.

VOLVOCARS.COM/ZA