

# V60



## V60 ESSENTIAL

The Essential variant comes with all the features you would expect from Volvo. Beyond the innovative City Safety technology, LED daytime running lights, 16" Hera alloy wheels, DSTC (Dynamic Stability Traction Control) system and dynamic chassis, the Essential model offers laminated side windows, auto folding door mirrors with ground lights, electronic climate control, information centre, cruise control, leather-faced upholstery and leather steering wheel with remote audio controls, shimmer graphite trim and a performance sound system with a 5" colour display screen.

**Variants:** **Petrol**  
T3 Manual

## V60 EXCEL

The Excel variant offers a range of innovative features including an automatic rain sensor, power adjustable driver's seat with memory function, electric lumbar support, an active 8" TFT crystal driver's display, rear park assist, grocery bag holder, aluminium sill protector at the tailgate and bright decor trim around the side windows.

**Variants:** **Diesel** **Petrol**  
D4 Geartronic T3 Manual or Powershift  
T4 Manual or Powershift  
T5 Geartronic

## V60 ELITE

The Elite variant is the ultimate upgrade. The combination of power adjustable passenger seat, 3-spoke leather steering wheel with decor inlay, bright decor on the front spoiler and active bending Bi-Xenon headlights with headlight cleaning system. A High performance multimedia audio system with a 7" colour display screen, internet connectivity and Bluetooth® also come as standard.

**Variants:** **Diesel** **Petrol**  
D4 Geartronic T3 Manual or Powershift  
D5 Geartronic T4 Manual or Powershift  
T5 Geartronic  
T6 Geartronic

## V60 **R-DESIGN**

18" Ixion alloy wheels together with the R-DESIGN chassis enhance the handling of this model. Visual presence is complemented with silver matt door mirrors, R-DESIGN unique rear exhaust pipes, sports seats with side support, R-DESIGN aluminium interior trim, unique R-DESIGN tread plates and a R-DESIGN sports leather steering wheel. A High performance multimedia audio system with a 7" colour display screen, internet connectivity and Bluetooth® also come as standard.

**Variants:** **Diesel** **Petrol**  
D5 Geartronic T5 Geartronic  
T6 Geartronic AWD





**THE RIGHT EQUIPMENT.** It's essential that your Volvo comes equipped with everything you need. Below you'll find the standard equipment lists for each model variant, plus optional equipment to personalise your Volvo V60. And as you'd expect, there is an array of industry-leading, cutting edge safety innovations.

<b>STANDARD EQUIPMENT - SAFETY AND SECURITY</b>	Essential	Excel	Elite	R-DESIGN
City Safety	•	•	•	•
Dual stage driver and passenger airbags	•	•	•	•
Passenger airbag cut-off switch	•	•	•	•
SIPS (Side Impact Protection System)	•	•	•	•
Dual chamber SIPS airbags	•	•	•	•
IC (Inflatable Curtains)	•	•	•	•
WHIPS (Whiplash Protection System) (Front Seats)	•	•	•	•
ABS (Anti-lock Brake System) with EBD (Electronic Brake Distribution)	•	•	•	•
DSTC (Dynamic Stability and Traction Control) with Electronic Brake Assistance	•	•	•	•
Electronic Stability Control (ESC)	•	•	•	•
5 x three point seat belts	•	•	•	•
Seat belt pre-tensioners (front and outer rear)	•	•	•	•
Head restraints – all 5 seats	•	•	•	•
ISOFIX attachment (rear seats)	•	•	•	•
Anti-theft alarm including immobiliser, volume and level sensor	•	•	•	•
IMS (Interior Movement Sensor)	•	•	•	•
Inner lock button with diode - driver and passenger doors	•	•	•	•
Key integrated remote control central locking with deadlocking system, remote fuel flap and auto open/close power windows (& sunroof if ordered)	•	•	•	•
Tinted windscreen	•	•	•	•
Headlight levelling system	•	•	•	•
Side marker illumination	•	•	•	•
Adaptive brake lights including high level LED brake light	•	•	•	•
Power parking brake	•	•	•	•
IDIS (Intelligent Driver Information System)	•	•	•	•
Home safe and approach lighting	•	•	•	•
Power child locks (rear doors)	•	•	•	•
Warning triangle	•	•	•	•
LED daytime running lights	•	•	•	•
Soft load cover	•	•	•	•
Load protection net in cargo area	•	•	•	•
Laminated side windows	•	•	•	•

<b>STANDARD EQUIPMENT - EXTERIOR</b>	Essential	Excel	Elite	R-DESIGN
16" Hera alloy wheels – 215/55 R16 W tyres (T3 and T4)	•	•	•	
17" Pandora alloy wheels – 215/50 R17 W tyres (D4 and T5)		•	•	
18" Titania diamond cut alloy wheels – 235/40 R18 Y tyres (D5 and T6)			•	
18" Ixion diamond cut alloy wheels – 235/40 R18 Y tyres (R-DESIGN)				•
Tyre sealant kit and compressor	•	•	•	•
Tempa spare wheel with jack kit	•	•	•	•
Rain sensor - automatic windscreen wiper activation		•	•	•
Auto-folding power door mirrors with ground lights	•	•	•	•
Power adjustable and heated door mirrors	•	•	•	•

<b>STANDARD EQUIPMENT - EXTERIOR Continued</b>	Essential	Excel	Elite	RDESIGN
Active bending Bi-Xenon headlights with corner light function and headlight cleaning system			•	•
Colour co-ordinated door mirrors and bumpers	•	•	•	
Visible twin exhaust pipes (T3 and T4)	•	•	•	
Dual integrated exhaust pipes (D4, T5, D5 and T6)		•	•	
Black mouldings around side windows	•			
Bright decor trim around side windows – upper and lower		•	•	
Bright roof rails	•	•	•	•
Rear park assist		•	•	•
Dynamic chassis	•	•	•	
RDESIGN Sport grille with logo				•
RDESIGN Sport chassis				•
RDESIGN Bright decor trim around side windows – upper and lower				•
RDESIGN Silver matt door mirrors				•
RDESIGN Rear spoiler				•
RDESIGN Full body kit (front and rear spoilers, side skirts, body colour wheel arch mouldings and unique tail pipes)				•

<b>STANDARD EQUIPMENT - INTERIOR</b>	Essential	Excel	Elite	RDESIGN
ECC (Electronic Climate Control)	•	•	•	•
Pollen filter	•	•	•	•
B-pillar ventilation	•	•	•	•
Cruise control	•	•	•	•
Information centre	•	•	•	•
Front and rear power windows	•	•	•	•
Illuminated driver and passenger vanity mirrors	•	•	•	•
Frameless auto-dimming rearview mirror	•	•	•	•
Front and rear reading lights	•	•	•	•
Front centre armrest with cup holders	•	•	•	•
Front and rear ashtray with cigarette lighter	•	•	•	•
Grocery bag holder		•	•	
12V sockets (front and cargo area)	•	•	•	•
Height adjustable driver and passenger seats	•	•	•	•
Power driver seat with memory function and electric lumbar support		•	•	•
Power passenger seat			•	
Versatile split folding rear seat (40%/20%/40%)	•	•	•	•
Leather steering wheel – 3-spoke	•	•		
Leather steering wheel with aluminium inlay 3-spoke			•	
Steering wheel remote audio controls	•	•	•	•
Height and reach adjustable steering column	•	•	•	•
Analog instrument cluster	•			
Active TFT crystal driver's display		•	•	
Leather-faced upholstery	•	•	•	
Leather gear knob	•	•	•	
Gear knob illumination (only automatic)		•	•	
Interior lighting – Mid version	•	•	•	•
Chrome rotary knobs	•	•	•	•
Chrome trim around air vents and light switch module	•	•	•	•





<b>STANDARD EQUIPMENT - INTERIOR Continued</b>	Essential	Excel	Elite	<b>RDESIGN</b>
Shimmer graphite aluminium trim	●	●	●	
Aluminium sill protector - tailgate		●	●	●
Luxury floor mats	●	●	●	
Performance Sound audio system – 1 x CD/radio, 4 x 20W amplifier, aux. input (MP3/WMA compatible), 6 speakers and a 5" colour display screen	●	●		
High Performance multimedia & connectivity audio system – 1 x DVD/radio, 4 x 40W amplifier, Bluetooth®, USB and aux. input (MP3/WMA compatible), 8 speakers and a 7" colour display screen – including connected service booking			●	●
<b>RDESIGN</b> Digital crystal driver's display				●
<b>RDESIGN</b> Aluminium sport pedals				●
<b>RDESIGN</b> Sports gear knob				●
<b>RDESIGN</b> Leather sport steering wheel with aluminium inlays and logo				●
<b>RDESIGN</b> Sport seats with side support				●
<b>RDESIGN</b> Deco aluminium trim				●
<b>RDESIGN</b> Sports design floor mats				●

<b>* OPTIONAL EQUIPMENT - SAFETY AND SECURITY</b>	Price incl. 14% VAT	Essential	Excel	Elite	<b>RDESIGN</b>
BLIS (Blind Spot Information System) with Cross Traffic Alert (CTA)	R8,100.00	o	o	o	o
LDW (Lane Departure Warning) with DAC (Driver Alert Control) and forward collision warning system (camera) (i)	R9,600.00	o	o	o	o
Driver alert control, lane departure warning and lane keeping aid (i) (vii)	R9,600.00	o	o	o	o
Pedestrian and cyclist detection with ACC (Adaptive Cruise Control) with distance alert, queue assist (on Geartronic and Powershift) and collision warning with full auto brake (i) (v)	R19,000.00	o	o	o	o
PCC (Personal Car Communicator) with keyless drive	R5,500.00	o	o	o	o
First-aid kit	R300.00	o	o	o	o

<b>* OPTIONAL EQUIPMENT - INTERIOR</b>	Price incl. 14% VAT	Essential	Excel	Elite	<b>RDESIGN</b>
Active TFT crystal driver's display	R4,350.00	o	●	●	n/a
Electro power steering (Normal, City and Sport) (D4, T5 and T6 FWD)	R2,750.00	n/a	o	o	n/a
Speed sensitive power steering system (T3, T4, D5 and T6 AWD)	R2,750.00	o	o	o	o
Power glass tilt and slide sunroof	R7,900.00	o	o	o	o
AQS (Air Quality System)	R1,250.00	o	o	o	o
Humidity sensor	R1,250.00	o	o	o	o
Grocery bag holder	R750.00	o	●	●	o
Sport leather seats with side support	R5,750.00	o	o	o	n/a
Power driver seat with memory	R4,350.00	o	●	●	●
Power passenger seat (iv)	R4,350.00	o	o	●	o
Manually adjustable passenger seat – 6 way	R700.00	o	o	n/a	●
Quick foldable backrest, passenger seat (not with sport leather seats)	R350.00	o	o	o	n/a
Heated front seats	R1,750.00	o	o	o	o
Heated rear seat (ii)	R1,750.00	o	o	o	o
Power folding rear headrests	R850.00	o	o	o	o
Sunglass holder	R300.00	o	o	o	o
Aluminium decor inlays	no cost	o	o	o	n/a
Urbane wood trim	R4,350.00	o	o	o	n/a
Piano black decor inlay	R2,200.00	o	o	o	n/a

* OPTIONAL EQUIPMENT - INTERIOR Continued	Price incl. 14% VAT	Essential	Excel	Elite	R-DESIGN
Sports leather steering wheel with chrome trim 3-spoke	R700.00	o	o	●	n/a
Integrated 2-stage booster cushions	R2,750.00	o	o	o	o
Gearshift paddles	R1,800.00	o	o	o	o
High Performance multimedia and connectivity audio system – 1 x DVD/radio, 4 x 40W amplifier, Bluetooth®, USB and aux. input (MP3/WMA compatible), 8 speakers and a 7" colour display screen – including connected service booking	R10,600.00	o	o	●	●
Harman Kardon Premium Sound multimedia and connectivity audio system, 1 x DVD/radio, 5 x 130W amplifier, Bluetooth®, USB and aux. input (MP3/WMA compatible), 12 speakers and a 7" colour display screen – including connected service booking	R15,600.00	o	o	o	o
Remote control for audio system (iii)	R1,150.00	o	o	o	o
Navigation system with advanced voice control (iii)	R22,000.00	o	o	o	o
Interior lighting - High version	R700.00	o	o	o	o
CZIP (Clean Zone Interior Package)	R450.00	o	o	o	o
Auto dimming rearview mirror with compass	R1,250.00	o	o	o	o
Aluminium sill protector - tailgate	R750.00	o	●	●	●

* OPTIONAL EQUIPMENT - EXTERIOR	Price incl. 14% VAT	Essential	Excel	Elite	R-DESIGN
Metallic paint	R2,200.00	o	o	o	o
17" Sardia (silver bright) alloy wheels – 235/45 R17 W tyres (no cost on D4, T5, D5 and T6)	R7,000.00	o	o	o	n/a
17" Pandora (silver stone) alloy wheels – 215/50 R17 W tyres (standard on D4 and T5, no cost on D5 and T6)	R7,000.00	o	o	o	n/a
17" Rex (silver bright) alloy wheels – 215/50 R17 W tyres (no cost on D4, T5, D5 and T6)	R7,000.00	o	o	o	n/a
18" Slepner (black chrome) alloy wheels – 235/40 R18 Y tyres (no cost on D5 and T6)	R7,000.00	o	o	o	n/a
18" Ymir (light grey) forged wheels – 235/40 R18 Y tyres (no cost on D5 and T6)	R7,000.00	o	o	o	n/a
18" Titania diamond cut alloy wheels – 235/40 R18 Y tyres (standard on D5 and T6)	R7,000.00	o	o	o	n/a
19" Ixion II (black) diamond cut wheels – 235/40 R19 Y tyres (R-DESIGN)	R7,000.00	n/a	n/a	n/a	o
19" Bor (dark grey) diamond cut alloy wheels – 235/40 R19 Y tyres (vi)	R7,000.00	o	o	o	n/a
19" Bor (iron stone) diamond cut alloy wheels – 235/40 R19 Y tyres (vi)	R7,000.00	o	o	o	n/a
Locking wheel nuts	R750.00	o	o	o	o
Park assist rear	R2,250.00	o	●	●	●
Park assist front and rear	R2,650.00	o	o	o	o
Park assist pilot (only on D4, T5 and T6 FWD)	R6,900.00	o	o	o	n/a
Rear parking camera	R9,300.00	o	o	o	o
Comfort chassis	no cost	o	o	o	n/a
Sports chassis	R5,100.00	o	o	o	●
Active Four-C Chassis (Continuously Controlled Chassis Concept)	R13,900.00	o	o	o	n/a
Rain sensor – automatic windscreen wiper activation	R850.00	o	●	●	●
Active bending Bi-Xenon headlights with corner light function and headlight cleaning system	R8,000.00	o	o	●	●
Heated windscreen washer nozzles	R750.00	o	o	o	o
Bright work chrome decor around side windows	R1,650.00	o	●	●	●
Chrome inserts front spoiler	R1,150.00	o	o	●	n/a
IR reflective windscreen	R4,900.00	o	o	o	o
Automatic dimming outer side mirrors	R1,650.00	o	o	o	o

● = standard; o = option; n/a = not available \* Fitted at factory.

- (i) Must be ordered in combination with rain sensor but not in conjunction with IR (Infrared) reflective windscreen.  
(ii) Must be ordered in conjunction with heated front seats.  
(iii) Must be ordered in conjunction with High Performance multimedia audio or Premium Sound multimedia audio systems (7" colour display screen).

- (iv) Must be ordered in conjunction with power driver's seat.  
(v) Only in combination with Lane Departure Warning (LDW) system.  
(vi) Only in combination with sports chassis.  
(vii) Only available on D4, T5 and T6 FWD.





# VOLVO SENSUS. YOU'RE IN CONTROL, NATURALLY.

## *SENSUS*

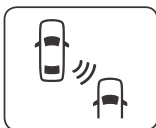
Yes, the new Volvo V60 has a beautifully sculpted exterior. But why should passers-by get all the enjoyment? Since you'll spend most of your time in the driver's seat, we've designed a gorgeous space around you. We've made all your instruments and controls as easy to use and intuitive as possible. We call this approach to connecting you and your car with the world around you "Sensus". Our beautiful new Adaptive Digital Display is the latest expression of this philosophy. Not only does it give you all the information you need without overwhelming you with data, it also gives you three modes to choose from – Elegance, Eco and Performance. Together with the Sensus screen in the dashboard, it

makes commanding your drive an effortless experience. And with Sensus Connected Touch, the 7-inch Sensus screen becomes a connected multimedia hub, giving you access to embedded connected navigation, music streaming and internet connection.

But it's not just our displays that are things of functional beauty. We've put the same amount of care into the steering wheel, as well as our iconic floating centre stack with our trademark "mannekin" climate control buttons.



In town, City Safety is designed to prevent you from colliding with the car in front if it stops suddenly. This advanced IntelliSafe system works at speeds of up to 50 km/h and senses if you're about to collide with another car, then, if necessary, applies the brakes.



We've further improved our Blind Spot Information System (BLIS). It now uses radar technology to alert you to vehicles closing up in your blind spot. There's also Cross Traffic Alert, which watches out for vehicles you can't see when you're reversing out of tight parking spaces.



Because we care about other road-users just as much as you, Pedestrian Detection with Full Auto-Brake watches out for people walking into your path and applies the brakes if you're unable to react in time.





# OH YES. DID WE MENTION SAFETY?

## *INTELLISAFE*

In 1927 our founders, Assar Gabrielsson and Gustaf Larson, decided to make really strong cars that could cope with our rough country roads. But strength alone wasn't enough. They also had a vision: "Cars are driven by people," they said, "so the guiding principle behind everything we make at Volvo is – and must remain – safety." Now our goal is that, by 2020, nobody shall be seriously injured or killed in a new Volvo. We think our founders would have approved.

In order to help us achieve this goal, and in keeping with our philosophy of making your life easier, your V60 has a whole suite of intuitive safety technologies inside it. They're there to support your daily driving, protecting you in the event of an accident and often preventing collisions in the first place. We call this IntelliSafe.

We know V60 owners love driving, but in a world of busier and busier roads, you are constantly exposed to other people's mistakes. That's why IntelliSafe offers some really smart technologies such as City Safety, Collision Warning with Full Auto Brake and Pedestrian Detection as well as Cyclist Detection.

And because you love driving, it's good to know that your V60 doesn't just protect you – it actively supports you too. Take Active High Beam. With this system, your headlights stay on full beam all the time. When another car comes around towards you, the system prevents dazzling the other driver by shading out only as much of your beam as necessary – no more, no less. Our Dynamic Stability and Traction Control (DSTC) is another IntelliSafe

technology. If there's a risk of your V60 losing stability, DSTC applies just the right amount of brake force and reduces engine power as needed in order to prevent skidding. You'll probably never notice a thing.

But that's OK, we're just doing our job.

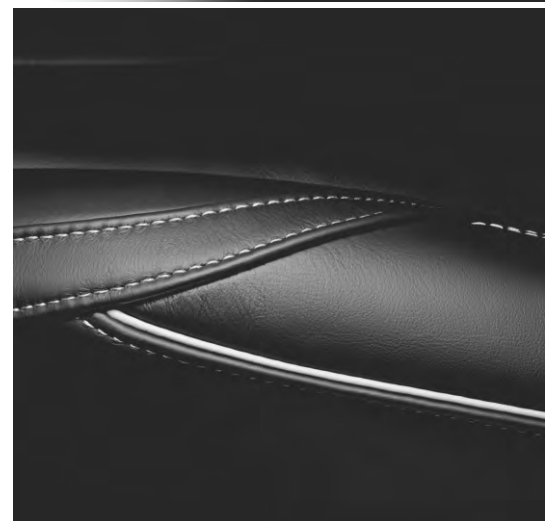
## *DRIVE-E*

WE CARE ABOUT YOU

Drive-E is at the heart of every Volvo we make. It's our all-encompassing approach to sustainable driving, our innovative thinking behind a whole range of technologies that will give you more efficiency – and lower running costs – without compromising on a pleasurable drive.

Our Drive-E technological advances include reducing the friction within our engines and a host of aerodynamic improvements to help you get the maximum benefit from your engine and the fuel you put into your car. We employ Start / Stop technology, energy recovery systems and always strive to make our manufacturing processes more sustainable – all of the electricity for our factory in Sweden comes from clean, hydroelectric power. After all, environmentally-aware mobility is central to our philosophy of intelligent, thoughtful luxury.

Integral to this is the wide choice of powerful, efficient engines available for the V60, ranging from the new four-cylinder 2.0 litre turbodiesel D4, to the six-cylinder T6 242kW petrol option.



## Proud sponsor of the unfair advantage

Choose the Volvo V60 R-DESIGN variant and the V60 receives a first class attitude adjustment – inside and out. Boldly provocative yet tastefully reserved, the exclusive R-DESIGN styling elements and special chassis express a definitive passion for sport. From its aggressive prow with larger intakes to the rear diffuser with dual tailpipes, the Volvo V60 R-DESIGN exudes confidence at every turn.

There are times in life when you have to turn up the volume. The V60 R-DESIGN dials up the physical and emotional dynamics beautifully. Outstanding R-DESIGN elements include: five-spoke diamond cut 18" Ixion wheels, specially stitched R-DESIGN sport seats and an exclusive leather three-spoke steering wheel with a stamped metal R-DESIGN badge.



#### **R-DESIGN upholstery**

Settle back in unique Off black full leather sportsseats.

#### **R-DESIGN deco inlay**

The centre stack and door handle inlays convey a sporty, contemporary feel.

#### **Sports gear knob**

The illuminated gear knob with perforated leather, gives the gear knob an exciting look and feel.

#### **Sports pedals**

Enhance the driving experience with these tough, ridged sports pedals.

#### **Sports steering wheel**

Every R-DESIGN model features an exclusive sports steering wheel with embossed logo.

#### **R-DESIGN digital instrument cluster**

The R-DESIGN variants get an intuitive digital driver information display with a unique R-DESIGN sporty blue start-up theme.

#### **Sports floor mats**


Look down and you'll see exclusive sports floor mats that set the stage, front and back.

#### **Polestar performance optimisation**




##### **Standard on T6 AWD R-Design (242kW / 480Nm)**

Polestar Performance optimises the power and torque in your Volvo. It makes the car more lively and fun to drive and it increases safety in situations where you need extra performance, e.g. when overtaking. All this without increasing the fuel consumption. The power optimisation is developed by Polestar's technicians who have optimised Volvo cars for racing circuits since 1996.



Prices are inclusive of 14% VAT	ESSENTIAL	EXCEL	ELITE	
<b>SPORT PACK - T3, T4, T5, D4</b>	<b>R 28 000.00</b>	<b>R 27 000.00</b>	<b>R 12 500.00</b>	<b>n/a</b>
Digital combined instrument cluster with TFT crystal display	o	●	●	
Locking wheel nuts	o	o	o	
Park assist front and rear	o	o	o	
PCC with keyless drive	n/a	n/a	o	
Active Bi-Xenon lights and headlight cleaning system	o	o	●	
18" Titania diamond cut alloy wheels (swop for Ymir, Sadia, Rex, Sleipner)	o	o	o	
High Performance multimedia and connectivity audio system	o	o	●	
Bright decor side windows (upper and lower)	o	●	●	
Bright decor front spoiler LH and RH side	o	o	●	
3-Spoke sport leather steering wheel with decor inlays	o	o	●	
<b>SPORT PACK - D5, T6</b>	<b>n/a</b>	<b>n/a</b>	<b>R 13 500.00</b>	<b>n/a</b>
Sports chassis			o	
Locking wheel nuts			o	
PCC with keyless drive			o	
Front and rear park assist			o	
Gearshift paddles behind steering wheel			o	
19" Bor iron stone diamond cut wheels (swop for Bor dark grey)			o	
<b>TECHNO PACK - T3, T4, T5, D4</b>	<b>R 40 000.00</b>	<b>R 35 500.00</b>	<b>R 23 000.00</b>	<b>n/a</b>
Power seat passenger	o	o	●	
Heated front seats	o	o	o	
Digital combined instrument cluster with TFT crystal display	o	●	●	
Power seat driver + memory for seat and outer mirrors	o	●	●	
Navigation system	o	o	o	
Park assist front and rear	o	o	o	
PCC with keyless drive	o	o	o	
Active Bi-Xenon lights and headlight cleaning system	o	o	●	
18" Titania diamond cut alloy wheels (swop for Ymir, Sadia, Rex, Sleipner)	o	o	o	
High Performance multimedia and connectivity audio system	o	o	●	
<b>TECHNO PACK - D5, T6</b>	<b>n/a</b>	<b>n/a</b>	<b>R 19 000.00</b>	<b>n/a</b>
Heated front seats			o	
Navigation system			o	
PCC with keyless drive			o	
Park assist front and rear			o	

● = standard; o = option; n/a = not available

Prices are inclusive of 14% VAT	ESSENTIAL	EXCEL	ELITE	
<b>PREMIUM PACK - T3, T4, T5, D4</b>	<b>R 42 500.00</b>	<b>R 37 500.00</b>	<b>R 25 500.00</b>	<b>n/a</b>
Power seat passenger	o	o	●	
Heated front seats	o	o	o	
Digital combined instrument cluster with TFT crystal display	o	●	●	
Power seat driver + memory for seat and outer mirrors	o	●	●	
Navigation system	o	o	o	
Park assist front and rear	o	o	o	
PCC with keyless drive	o	o	o	
Active Bi-Xenon lights and headlight cleaning system	o	o	●	
18" Titania diamond cut alloy wheels (swop for Ymir, Sadia, Rex, Sleipner)	o	o	o	
Harman Kardon Premium Sound multimedia & connectivity audio system	o	o	o	
<b>PREMIUM PACK - D5, T6</b>	<b>n/a</b>	<b>n/a</b>	<b>R 22 000.00</b>	<b>n/a</b>
Heated front seats			o	
Navigation system			o	
Park assist front and rear			o	
PCC with keyless drive			o	
Harman Kardon Premium Sound multimedia & connectivity audio system			o	
<b> PLUS - D5, T5, T6</b>	<b>n/a</b>	<b>n/a</b>	<b>n/a</b>	<b>R 15 500.00</b>
Power passenger seat				o
Heated front seats				o
Locking wheel nuts				o
Grocery bag holder, 5-door				o
PCC with keyless drive				o
Park assist front and rear				o
Gearshift paddles behind steering wheel				o
Interior theatre lighting – High version				o
19" Ixion II black diamond cut wheels (swop for 18" Ixion diamond cut)				o
<b> PREMIUM PLUS - D5, T5, T6</b>	<b>n/a</b>	<b>n/a</b>	<b>n/a</b>	<b>R 30 500.00</b>
Power passenger seat				o
Heated front seats				o
Navigation system				o
Locking wheel nuts				o
Grocery bag holder, 5-door				o
Park assist front and rear				o
Gearshift paddles behind steering wheel				o
PCC with keyless drive				o
Harman Kardon Premium Sound multimedia & connectivity audio system				o
Interior theatre lighting – High version				o
19" Ixion II black diamond cut wheels (swop for 18" Ixion diamond cut)				o



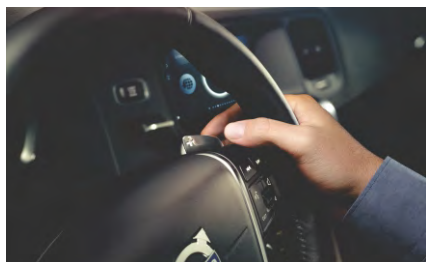
**INTERIOR INLAYS.** A section of premium materials to complement your interior fabric.



Leather steering wheel, Off black



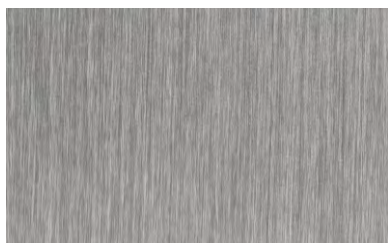
Leather steering wheel, Off black with Silk metal inlay



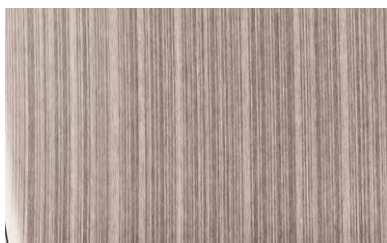
Paddle shift steering wheel



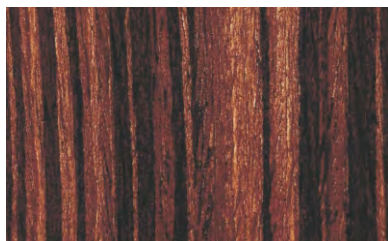
Leather gear knob with illumination



Aluminium decor inlay



Shimmer graphite inlay



Urbane wood inlay



Piano black decor inlay





**COLOUR YOUR VOLVO.** When it comes to the appearance of your Volvo, the choice of exterior colour and wheels are probably your most important design decisions. For more exterior styling options and to build your new Volvo online, please visit [www.volvocars.co.za/createyourown](http://www.volvocars.co.za/createyourown)



019 Black stone solid



452 Black sapphire metallic (i)



477 Electric silver metallic (i)



484 Seashell metallic



487 Ember black metallic



492 Saville grey metallic (i)



498 Caspian blue metallic



612 Passion red solid (i)



614 Ice white solid (i)



619 Rebel blue solid (ii)



702 Flamenco red pearl metallic



707 Crystal white pearl metallic (i)



711 Bright silver metallic



713 Power blue metallic (i)

(i) Also available on **REDESIGN** (ii) Only available on **REDESIGN**

**Please note:** It's not possible to reproduce exact original shades in printed matter. Please ask your dealer to show you samples.

**CLEAN COLOURS** To reduce usage of environmentally hazardous solvents all Volvo exterior colours are water-based. What's more, our painting facilities are among the cleanest in the world.

**EXTERIOR DESIGN** Aluminium wheels



16" Hera



17" Pandora



17" Sadia



17" Rex



18" Ymir, light grey



18" Ixion diamond cut  
*REDESIGN*



18" Titania diamond cut



18" Sleipner, black chrome



19" Bor iron stone, diamond cut



19" Bor dark grey, diamond cut



19" Ixion II black, diamond cut  
*REDESIGN*





**IN FINE DETAIL.** The nuts and bolts of your Volvo V60. Whatever you need to know about your new car – whether that’s fuel consumption, CO<sub>2</sub> emissions, top speed or boot space – you’ll find it here.

ENGINE	T3		T4		T5	D4	D5	T6	T6
	Manual	Powershift	Manual	Powershift	Geartronic	Geartronic	Geartronic	FWD Geartronic	AWD Geartronic
Configuration	Transverse – 16 valve		Transverse – 16 valve		Transverse – 16 valve	Transverse – 16 valve	Transverse – 20 valve	Transverse – 16 valve	
Cylinders	4		4		4	4	5	4	
Engine capacity, cc	1596		1596		1969	1969	2400	1969	
Bore x stroke, mm	79 x 81.4		79 x 81.4		87.5 x 83.1	81 x 77	81 x 93.15	82 x 93.2	
Max. output ECE,	PS	150	180	245	181	215	306	329	
	kW	110	132	180	133	158	225	242	
	rpm	5700	5700	5500	4250	4000	5700	5400-6500	
Max. torque ECE,	Nm	240	240	350	400	440	400	480	
	rpm	1600-4000	1600-5000 (overboost to 270Nm)	1500-4800	1750-2500	1500-3000	2100-4500	3000-3600	
Octane rating	95 RON unleaded		95 RON unleaded		95 RON unleaded	50ppm Diesel	50ppm Diesel	95 RON unleaded	
Fuel system	Direct fuel injection		Direct fuel injection		Direct fuel injection	Common rail direct injection	Common rail direct injection	Direct fuel injection	
Compression ratio	10.0:1		10.0:1		10.8:1	15.8:1	16.5:1	10.3:1	

PERFORMANCE	T3		T4		T5	D4	D5	T6	T6
	Manual	Powershift	Manual	Powershift	Geartronic	Geartronic	Geartronic	FWD Geartronic	AWD Geartronic
Top speed km/h	200	205	220		230	225	230	230	250
Acceleration 0-100 km/h sec	9.6	10.4	8.5	9.2	6.4	7.6	7.7	6.0	5.8
Drag coefficient	0.29		0.29		0.29	0.29	0.29	0.29	0.29

FUEL CONSUMPTION (i) (ii)	T3		T4		T5	D4	D5	T6	T6
	Manual	Powershift	Manual	Powershift	Geartronic	Geartronic	Geartronic	FWD Geartronic	AWD Geartronic
Urban l/100 km	7.2	9.9	7.5	9.9	8.5	5.1	8.5	8.9	14.8
Extra Urban l/100 km	4.9	5.8	5.1	5.8	4.9	3.9	4.9	5.5	7.5
Combined l/100 km	5.8	7.2	5.9	7.2	6.2	4.3	6.2	6.7	10.2
CO <sub>2</sub> g/km	134	167	138	167	144	112	162	157	237
Fuel tank capacity (litres)	68		68		68	68	68	68	68

WEIGHT	T3		T4		T5	D4	D5	T6	T6
	Manual	Powershift	Manual	Powershift	Geartronic	Geartronic	Geartronic	FWD Geartronic	AWD Geartronic
Min. kerb weight, kg (actual kerb weight dependent on spec.)	1522	1541	1519	1541	1600	1596	1626	1634	1719
Max. possible towing weight braked, kg	1600		1600		1600	1750	1800	1800	1800
Max. towing weight unbraked, kg (iii)	750		750		750	750	750	750	750
Max. total weight, kg	2100	2110	2100	2110	2160	2150	2200	2160	2310
Max. roof load, kg	75		75		75	75	75	75	75

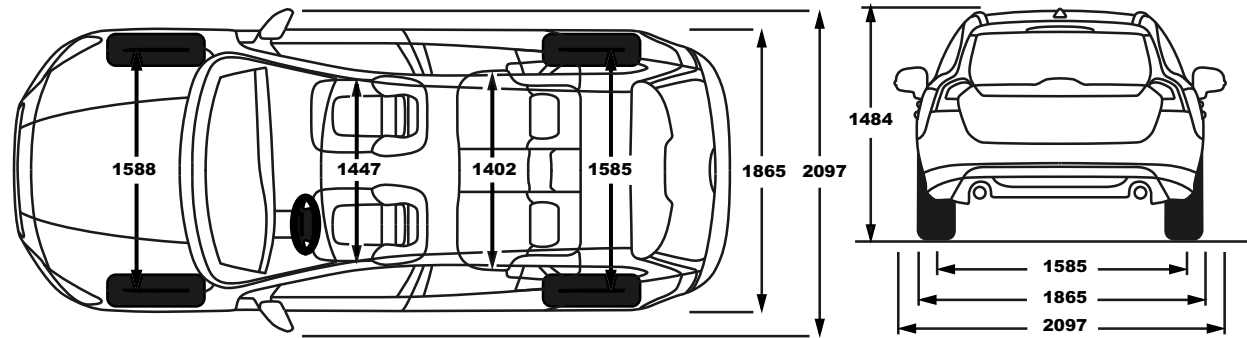
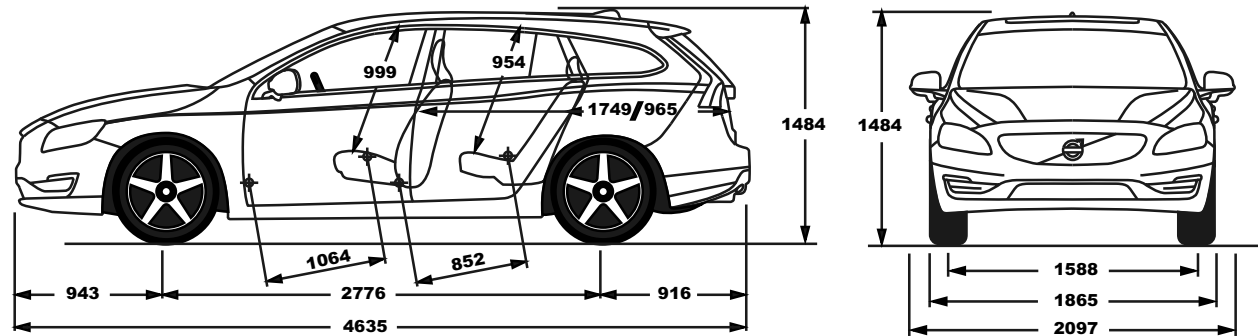
POWER STEERING SYSTEM Turning circle, m (rack and pinion)	ALL MODELS
T3, T4, T5, D4	11.3
D5, T6 FWD, T6 AWD	11.9

LUGGAGE COMPARTMENT Volume measured in litres	ALL MODELS
Rear seats up, luggage area	430

TRANSMISSION	ALL MODELS
Manual (T3, T4)	6 speed
Powershift (T3, T4)	6 speed
Geartronic (D5, T6 AWD)	6 speed
Geartronic (D4, T5, T6 FWD)	8 speed

BRAKES	ALL MODELS
Front disc diameter, mm	316 Ventilated
Rear disc diameter, mm	302

GROUND CLEARANCE	ALL MODELS
Curb (mm)	136



- (i) The results do not express or imply any guarantee of the fuel consumption of a particular car as there are inevitable differences between individual cars of the same model. Additionally, driving style, traffic conditions, as well as the age and mileage and standard of maintenance will affect a car's fuel consumption.
- (ii) The Urban fuel consumption figure is based on typical city driving, including starting the car from cold. The Extra Urban figure is based on typical motorway driving and cruising. The Combined figure averages the consumption across both cycles.
- (iii) Unbraked towing weight must not exceed 50% of kerb weight up to a maximum of approximately 750 kg.

**Notes**

The weight of the vehicle will influence the level of CO<sub>2</sub> emitted. As a result, vehicles with higher levels of specification and factory fit options may emit higher levels of CO<sub>2</sub>.

A weighbridge must be used to determine specific weights. Data valid for manual transmission unless specified. Gt = Geartronic Automatic Transmission. All measurements in mm.

The Max. output figures are quoted in PS (Pferdestärke), which is the metric equivalent of brake horsepower.

**NB** Some of the information in this brochure may not be correct due to product changes which may have occurred since it was printed. Some of the equipment described or shown may now be available only at extra cost. Before ordering, please ask your Volvo dealer for the latest information. The manufacturer reserves the right to make changes at any time, without notice, colour, materials, specifications and models.

\* Laminated glass on side windows only.

Volvo Car South Africa.



## Volvo Car Financial Services

A division of 

---

## My Volvo

A personalised website for you and your car.

My Volvo gives you:

- News and updates about your car ownership.
- Allows you to follow the main events during the ownership lifetime of your Volvo.
- Easy to reach your dealer for service booking.
- Tips to simplify your everyday life.
- Quick answers to questions about your car.
- Offers that are relevant to you and your car.
- Exclusive articles, films and photographs, plus behind-the-scenes look into the world of Volvo.
- Reminders regarding important stages of car ownership.

### Everything you really need to know to get the most out of your Volvo.

On My Volvo, you'll find personalised offers and helpful information, exclusive articles and films, plus all the latest relevant news and updates from Volvo. You can also take advantage of innovative and useful functions, such as Online Service Booking. Everything is easy-to-use, easy-to-find and, most importantly, everything is designed with you and your particular Volvo model in mind.

Sign up at [www.volvocars.co.za/myvolvo](http://www.volvocars.co.za/myvolvo)

**The number to call is 0800 698 6586**

---

## Tracker Connect

On 1 January 2014, Tracker Connect became Volvo's new roadside assistance partner.

Tracker Connect has been South Africa's leading vehicle tracking company since the 1990s. While vehicle tracking and Stolen Vehicle Recovery (SVR) remains the company's core business, the Tracker of today has evolved into a highly sophisticated technological company offering leading edge fleet management and telematics solutions to both individuals and organisations throughout Southern Africa.

### Services include:

- Medical emergency assistance
- Fuel assistance
- Recovery towing
- Emergency transportation
- "Stand by you" roadside security
- Free Mobile app
- Web access to conveniently position your vehicle or draw reports which can be used to log and submit business or private usage to SARS.
- Flat tyre assistance
- Battery service
- Overnight accommodation
- Accident tow
- Repatriation
- In-car Volvo assist button
- Impact detection
- Mileage monitoring
- Volvo Car South Africa branded smartphone app.

Furthermore, the option to include Proactive Vehicle Recovery for as little as R199\* per month is also available. This option also includes access to value added services such as Care, Legal Assist and Theft Rescue.

\* Reviewed and adjusted annually.

**The number to call is 0800 698 6586**

---

## Volvo Car Financial Services

has flexible financing options that enable you to structure your deal according to your specific requirements.

We want your experience of buying and owning a Volvo to be enjoyable and hassle free, that is why we have developed the following online service tools:

- Online finance application – apply for finance anytime of the day or and get an instant answer.
- Calculators – calculate your monthly repayments or calculate the value of a vehicle that you could buy based on a specified monthly repayment.
- Account services – manage your account in a secure and user-friendly online environment in real time.

So, remember to insist on Volvo Car Financial Services at your dealer or simply visit [www.volvocars.co.za](http://www.volvocars.co.za) for more information.

**All models standard with a 5 year / 100 000km Volvo Plan,  
and laminated safety glass\*.**

**NB** Some of the information in this brochure may not be correct due to product changes which may have occurred since it was printed. Before ordering, please ask your Volvo dealer for the latest information. The manufacturer reserves the right to make changes at any time, without notice, to colour, materials, specifications and models.

VOLVOCARS.CO.ZA

VOLVO  
**V60**

